

Highway Class

SUPER 3000-2

TRACKED PAVER



Maximum pave width 16m
Maximum laydown rate 1,600 tonnes/h
Transport width 3m



Pure performance from VÖGELE



The SUPER 3000-2 is perfectly equipped for all kinds of large-scale road construction projects thanks to its outstanding performance in terms of laydown rate, layer thickness and pave width.

The flagship of the VÖGELE fleet of pavers is capable of building asphalt pavements for motorways or large traffic areas up to 16m wide without joints.

But the extremely powerful SUPER 3000-2 is also ideal for roadbase jobs. Layers up to 50cm thick can be reliably placed in a single pass. For placing non-bituminous materials of a particularly abrasive nature, a Heavy-Duty kit is available as an option, guaranteeing long service life of all wearing parts.

Given its high tractive power and paving performance, the SUPER 3000-2 gets these challenging jobs done at record-breaking speeds. And in this respect, quantity by no means comes before quality.

Drive system, conveyors and augers as well as compacting systems are dimensioned so as to build pavements true to line and level and achieve superb surface accuracy and optimal compaction even when working at the highest performance level in tough continuous operation.

The SUPER 3000-2 is a reliable performer on all large-scale job sites and allows maximum paving quality to be achieved highly economically.

The highlights of the SUPER 3000-2



Tracked Highway Class paver with a large range of applications and pave widths up to 16m

Maximum laydown rate 1,600t/h
Maximum layer thickness 50cm
Maximum pave speed 24m/min.

Powerful and economical drive concept, even when operating at full load in any climate zone



Optimum feeding with mix thanks to the large material hopper

ErgoPlus operating system for maximum user-friendliness

Can be combined with AB 600 Extending Screed or SB 300 Fixed-Width Screed – both equipped with high-compaction technology

Designed for large job sites

The SUPER 3000-2 is in its element on large job sites requiring jointless paving across large pave widths and extremely high daily laydown rates. Its wide range of paving applications covers everything from the construction and rehabilitation of motorways, highways and country roads, all the way to airport runways.

Its performance ratings were designed specifically for these applications. The paver achieves a maximum laydown rate of 1,600t/h, a maximum pave width of 16m and a maximum layer thickness of 50cm, regardless of whether it is placing bituminous mix, water-bound material or mineral aggregate.





The drive concept: Impressive performance, fascinating efficiency



The powerful six-cylinder diesel engine rated at 300kW is the force behind this Highway Class paver.

Intelligent engine management with ECO mode reduces diesel fuel consumption and noise levels.



Low input – maximum output: all drive components including the three-phase A.C. generator are powered via the central splitter gearbox and operate with maximum efficiency.

Crawler tracks with high tractive power efficiently translate the engine output into pave speed.

Modern drive technology

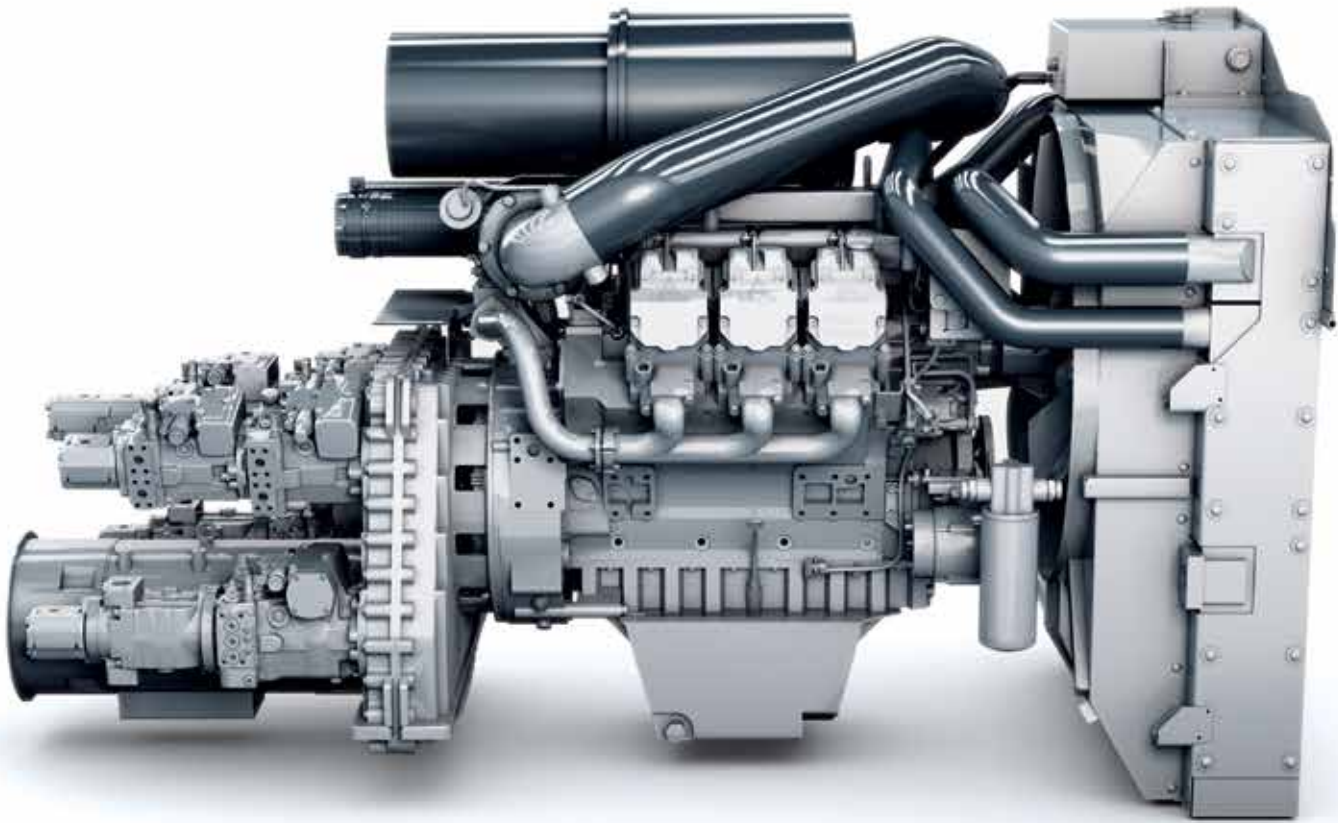
The SUPER 3000-2 is a genuine powerhouse, with its 6-cylinder Deutz engine delivering a staggering 300kW. Yet despite this high performance, fuel consumption is kept low at 217g/kWh. Like all machines from the Compact Class upwards, the SUPER 3000-2 can also be operated in the economical ECO mode (292kW at 1,500rpm), allowing the fuel consumption and noise emission of the already quiet paver to be reduced even further.

With a capacity of 600 litres, the fuel tank is large enough to see the paver through long working days without refuelling. The splitter gearbox is designed for high performance and supplies hydraulic oil reliably to all hydraulic systems.

The three-phase AC generator of the SUPER 3000-2 is flange-mounted directly to the splitter gearbox, which provides for a maintenance-free generator drive. A particularly high generator output guarantees rapid heating of the screed and efficient operation of electric screed heating across the full pave width.

VÖGELE pavers traditionally come with extremely efficient low-noise cooling systems. The SUPER 3000-2 is equipped with a high-performance cooler assembly for engine coolant, hydraulic oil and charge air.





» **Extremely powerful 6-cylinder Deutz engine** delivering 300kW at just 1,800rpm.

» **ECO mode** (1,500rpm) cuts operating costs and allows particularly quiet operation.

» **A large cooler assembly** with innovative air routing is installed for perfect cooling in all climatic zones the worldwide.

» **The splitter gearbox** reliably supplies the paver's hydraulic systems with exactly the power needed for the job in hand.

» **The generator** is flange-mounted directly to the splitter gearbox, which provides for a maintenance-free generator drive.

Efficient translation of tractive power

Thanks to their large footprints, the paver's crawler tracks ensure a constant pave speed on every base. Separate drive and electronic control installed for each track provide for positive tracking when moving straight and

accurate cornering. All in all, the SUPER 3000-2 features an exceptional drive concept that caters to the special requirements of a high-performance paver.



- » **The hydraulic systems** for the traction drive, conveyors and augers as well as the compacting systems all operate in separate closed circuits for maximum efficiency.
- » **Thanks to powerful separate drives** fitted into the sprockets for the crawler tracks, engine output is translated into pave speed with no loss of power.
- » **Long crawler tracks** with large footprints provide for maximum tractive effort, allowing the paver to progress well at a constant speed even when operating on difficult terrain.
- » **Positive tracking** when moving straight and accurate cornering due to separate drive and electronic control provided for each crawler track.
- » **The optimized crawler unit** maximizes the smooth running of the paver. The electronically controlled separate drives installed in the sprockets of the crawler tracks permit constant straight movement and precise steering through curves.



Perfect paving quality thanks to perfect material management



The entire material management system in the SUPER 3000-2 is designed for maximum performance ratings, from the enormous material

hopper and the wide, powerful conveyors, to the augers. The SUPER 3000-2 paver achieves laydown rates up to 1,600 t/h.



Large job sites can thus be finished in substantially less time and, as a result, more economically.

Unrivalled material handling and laydown rates



As with all VÖGELE pavers, supplying the SUPER 3000-2 with mix is a clean, safe and swift process.

A hydraulically operated hopper front (option) prevents spills of mix when feed lorries change and permits the material hopper to be completely emptied, so no hand work with shovels is required.



The large material hopper holding 17.5t is amply dimensioned so that a sufficient quantity of mix is stored at all times. There is no problem tiding over difficult situations such as paving under bridges, for instance.



- » **Easy feeding with mix** thanks to low material hopper, wide hopper sides and sturdy rubber baffles fitted to the hopper front.
- » **Especially large oscillating push-rollers** for convenient and shock-free docking of feed vehicles, even in curves.
- » **The oscillating push-rollers** can be displaced forwards by 100mm to cater to the most diverse feed vehicles.
- » **Even at maximum conveyor speed**, the conveyor tunnel (1.62m wide and 40cm high) provides sufficient space for an uninterrupted flow of mix.



Conveyors equipped with powerful separate hydraulic drives and high-performance augers ensure a continuous flow of mix even when the pave speed varies. Conveyors are provided with separate control, independently of each other, for an optimal head of mix in front of the screed.

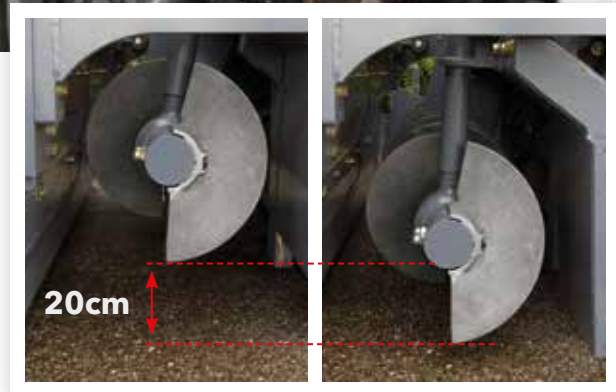
Precise spreading of material across the full pave width

The augers of the SUPER 3000-2 are hydraulically and infinitely variable in height up to 20cm, even while paving.

This provides for quick and easy adaptation to the desired layer thickness across the full pave width.



- » **Powerful, separate hydraulic drives** installed for conveyors and augers permit high laydown rates up to 1,600t per hour.
- » **Large auger blades** (diameter 420mm) provide for an optimal head of mix in front of the screed and prevent segregation, even when paving across large widths.
- » **Hydraulic adjustment** of the augers in height, complete with bearing boxes and limiting plates for the auger tunnel, allows the paver to be moved on the job site without a need for conversion, a benefit that saves time and money.



The height of the augers complete with bearing boxes and limiting plates for the auger tunnel can be hydraulically adjusted by up to 20cm across the full pave width. This optimizes the head of mix in front of the screed, even when paving thin layers or when layer thickness varies.

Heavy-Duty kit

High material throughput is also important for large paving projects requiring the placing of non-bituminous, abrasive materials.

The SUPER 3000-2 is ideally equipped for this kind of work. Even in the standard version, the bottom plates of the conveyors and the return pulleys for conveyor chains are of a highly wear-resistant design.



» **The SUPER 3000-2 comes** with highly wear-resistant bottom plates and return pulleys for the conveyors, even in the standard version.

» **If the machine** is used primarily for roadbase and base course construction, a Heavy-Duty kit is available as an option. The reinforced guards for the conveyor tunnel and the chassis serve to counteract abrasive wear.



The ErgoPlus operating concept

Even the very best machine with the most advanced technology can only really show its strengths if it can be operated easily and as intuitively as possible. At the same time, it should offer an ergonomic and safe working environment for the operating team. Therefore, the ErgoPlus operating concept focuses on the operator. With VÖGELE pavers, the user consequently retains full control over the machine and the construction project.

On the following pages example illustrations will provide you with more detailed information on the extensive functions of the ErgoPlus operating concept. ErgoPlus encompasses the operator's stand, the paver operator's console, the screed consoles and Niveltronic Plus, the System for Automated Grade and Slope Control.







“Full control for the

A close-up view of a paver operator's ErgoPlus console. The console is light blue and features a central joystick, numerous buttons, and a digital display screen. A hand is visible on the left, resting on the joystick. In the background, a blue truck with a white trailer is driving on a highway, viewed through the paver's window.

The paver operator's
ErgoPlus console

machine operator"

The paver operator's ErgoPlus console

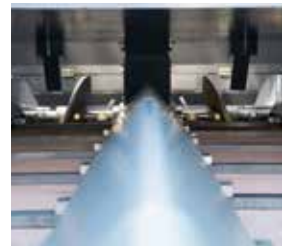
Reversing conveyor movement

In order to avoid mix dropping from the conveyors during a move of the paver on the job site, conveyor movement can be reversed at the push of a button. Reverse movement, transferring mix from the rear of the conveyor tunnel back inside, takes place for a short time only and stops automatically.



No-load function

The no-load function is provided for the warm-up or cleaning of conveyors, augers and tamper.



Automatic functions

For conveyors and augers, operators can easily select "Manual mode" or "Automatic mode". When selecting "Automatic mode" for the augers, sensors installed for the mix level in the auger tunnel ensure that exactly the desired amount of mix is spread in front of the screed.



Choice of operating modes for the paver

All the main paving and machine functions can be controlled directly by individual push-buttons on the paver operator's ErgoPlus console. By pressing the arrow buttons, up or down, the operator changes modes in the following order: "Neutral", "Job Site", "Positioning" and "Pave". An LED indicates the mode selected. When leaving "Pave" mode, a smart memory feature stores the last settings for paver functions so that, when resuming work after a move of the paver on site, these settings are restored automatically.



The paver operator's console is extremely clear and has been designed according to practical principles. All functions are combined into logical groups, so that the operator finds each function exactly where he would expect it to be.

On the ErgoPlus console, all push-buttons are easily identifiable by touch even when wearing work gloves. Once a button is pressed, off you go thanks to the "Touch and Work" principle. This means that a function is executed directly – without a need to confirm.



VÖGELE

F1 F2
F3 F4
F5 F6
F7 F8

M1 M2 M3 M4

ESC

START/STOP

- MAX
- ECO
- MIN

● MAX
● ECO
● MIN

- **Module 1:** Conveyors and augers, traction
- **Module 2:** Screed
- **Module 3:** Material hopper and steering
- **Module 4:** Display for monitoring and adjustment of basic settings

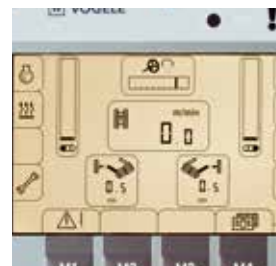
Display of the paver operator's console

The large, easy-to-read display shows vital information on menu level 1 – such as the positions of the screed tow point rams or the pave speed. Further paver functions such as speeds of tamper and vibrators or feed rate of the augers can easily be set up via the display, too. And the display gives access to machine-related information such as fuel consumption or service hours.



Steering with preselected steering angle

For long curves with a constant radius, the desired steering angle can be preselected using arrow keys. The paver stays automatically on the set track until the function is deactivated, without a need for intervention by the paver operator.



Choice of engine speed ranges

For the engine, there is a choice of three modes to select from: MIN, ECO and MAX. To switch modes for engine rpm, all the operator needs to do is press the arrow buttons, up or down. In ECO mode, the engine delivers sufficient power for a great number of paving applications. Operating in ECO mode reduces noise emissions and fuel consumption considerably.



Screed Assist (option)

This button switches Screed Assist on (LED lights up) or off. Screed Assist pressure and balance can be set via the display. Screed Assist is active only when the screed is floating.





The ErgoPlus screed console

The screed is crucial for pavement quality.

Therefore, easy and positive handling of all screed functions is of the utmost importance for high-quality road construction.

With ErgoPlus, the screed operator has the paving process at his fingertips. All functions are easily comprehensible and all controls are clearly arranged.

The screed console

The screed console is designed in keeping with the conditions prevailing on the job site. Push-buttons are provided for the frequently used functions operated from the screed console. These are watertight and enclosed in palpably raised rings, so that they are identifiable blindfold simply by touch even when wearing work gloves. Important paver and screed data can be called up and adjusted from the screed console, too.



The display of the screed console

The display of the screed console allows the screed operator to control and monitor both the left and the right side of the screed. Machine-related parameters such as tamper speed or conveyor speed can be adjusted conveniently via the display panel of the screed console. The clear menu structure, combined with easily understandable, self-explanatory symbols neutral in language, makes operating the display panel both simple and safe.



Automatic mode for augers, reversing auger rotation

Just like the paver operator, the screed operator, too, can select Manual mode or Automatic mode for conveyors and augers. The Reversing Auger Rotation function is very useful and comfortable in practice.



Crown adjustment at the press of a button

The crown can be conveniently adjusted at the press of a button on the screed operator's console. When pressing the "plus" or "minus" keys, the set crown value is shown on the display.



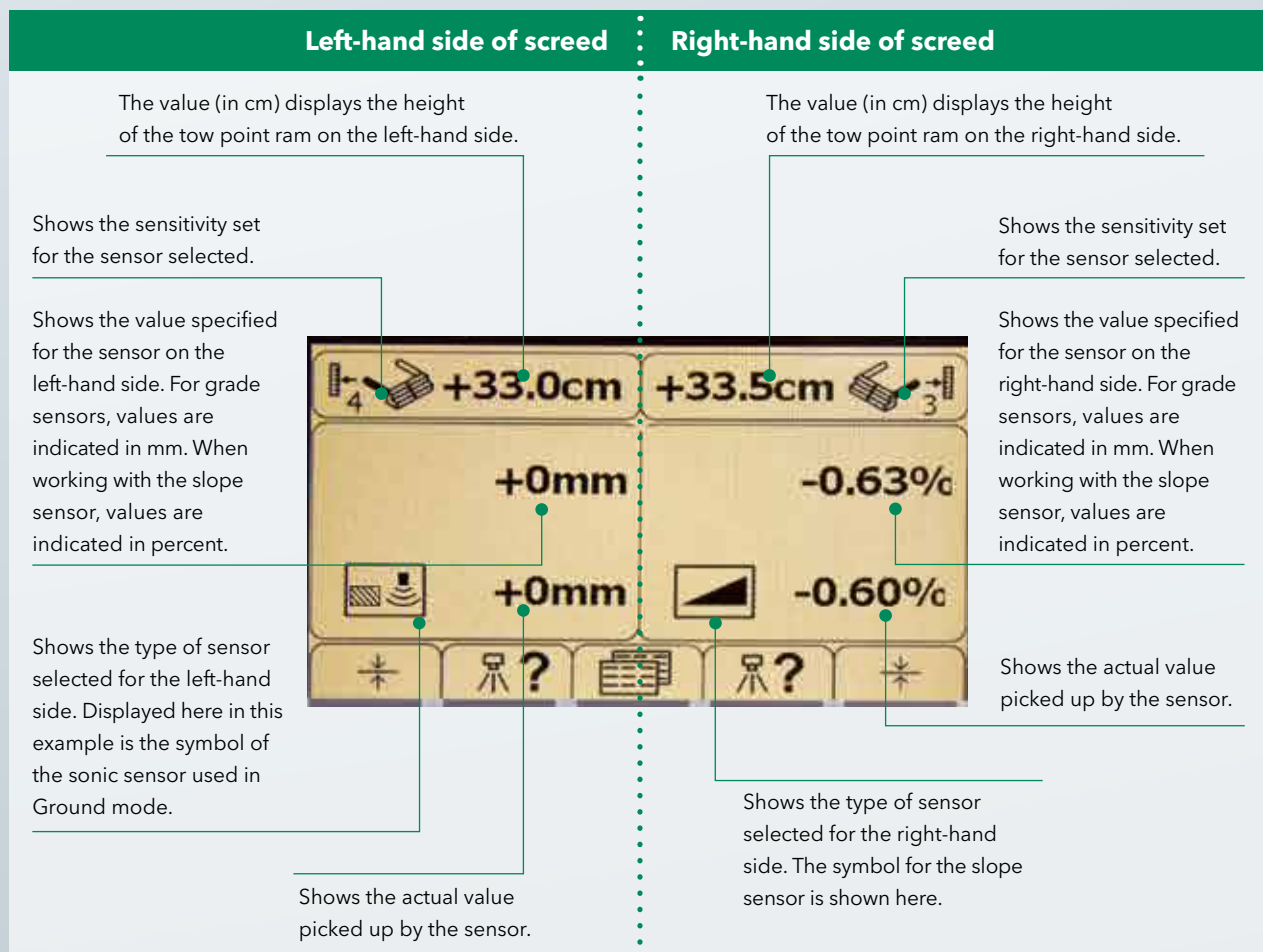
VÖGELE Niveltronic Plus

Niveltronic Plus, the System for Automated Grade and Slope Control, is an in-house development by JOSEPH VÖGELE AG based on many years of experience in grade and slope control technology. Easy operation, precision and reliability are its hallmarks, ensuring perfect mastery of all grade and slope control jobs.

This fully integrated system is optimally adapted to the machine technology of the SUPER pavers. All wiring and connections, for instance, are integrated into the tractor unit and screed, effectively eliminating all risk of damage to these components.

VÖGELE naturally offer a particularly large and practical selection of sensors permitting versatile use of the Niveltronic Plus system. Whether car parks, roundabouts or highways need to be built or rehabilitated, VÖGELE offer the right sensor for every job site situation.

Sensors can be changed quickly and easily, for Niveltronic Plus automatically detects which sensor is connected, thus simplifying the configuration process for the user.







1.



3.



2.



4.

The ErgoPlus operator's stand

1. The comfortable operator's stand gives an unobstructed view of all crucial areas on the paver such as material hopper, steering guide or screed.

2. The seats swinging out to the sides and an operator's stand of streamlined design provide for maximum visibility of the auger tunnel, permitting the paver operator to keep an eye on the head of mix in front of the screed at all times.

3. Operator comfort

A few adjustments are all it takes for the paver operator to position his console exactly to meet his personal needs. It can be displaced across the full width of the operator's stand, swivelled out to the sides and tilted.

4. A place for everything and everything in its place

The operator's stand, with its streamlined design, is well organized, offering the paver operator a professional workplace.



5. The paver operator's console can be protected by a shatter-proof cover to prevent wilful damage.

6. When working with the seat swung out, the paver operator's console can be swivelled out together with the operator's seat. In this way, an ergonomically optimized workplace is set up in no time at all. A legroom kept warm adds to operator comfort during the cold season.

7. Hardtop gives excellent protection

The modern hardtop made of glass fibre-reinforced polymer material shelters the operator, come rain or shine.

8. Six bright working lights are integrated into the hardtop. Raising the lights in this way floods the job site with light (xenon lamps available as an option).

Screed options for all paving applications

A high-performance tractor unit calls for a screed to match. Every application has its own particular requirements, so that in the end it's up to the user's day-to-day work to decide which screed is the right one. The SUPER 3000-2 is designed for performance at the highest level in terms of pave width, layer thickness and laydown rates. Combined with the two top models from the VÖGELE range of screeds, it achieves optimum paving quality highly economically.





The SB 300 Fixed-Width Screed is capable of handling pave widths up to 16m without joints. VÖGELE offer hydraulic extensions (HE) which allow infinite variation in width within a range of 1.5m. With hydraulic extensions fitted, the pave width is variable by 0.75m on either side of the screed.

SB 300 is also available in the TP1, TP2 and TVP2 versions, equipped with high-compaction systems, and thus providing for a perfect built-up of layers. This creates the basis for a final pavement true to line and level.

The AB 600 Extending Screed has a basic width of 3m and extends hydraulically up to 6m through its sturdy single-tube telescoping system. Thanks to screed width control at the touch of a button, the screed quickly adjusts to varying pave widths. Through the addition of bolt-on extensions, the screed can be built up to a maximum width of 9.5m. The AB 600 is also available in the TP1 and TP2 versions for high-compaction. For paving binder course and base course with maximum precompaction, the paver can be combined with the AB 600 Extending Screed in the TP2 Plus version.

The Extending Screeds guarantee homogeneous surface texture thanks to uniform heating of screed plates, tamper bars and pressure bar(s).

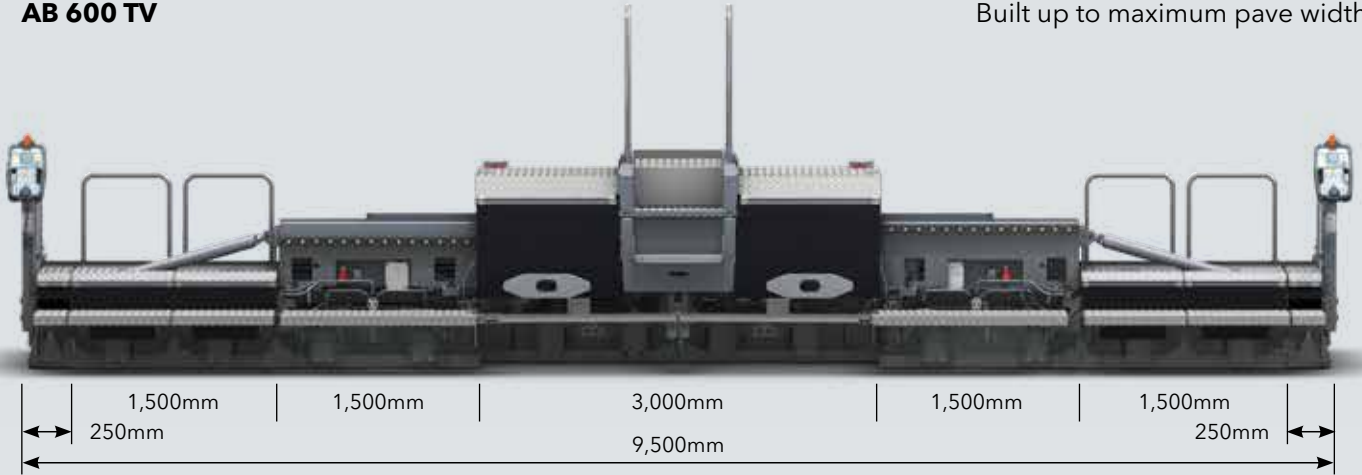
Even with the paver's engine running at minimum rpm, the time required for the screed to reach its operating temperature is reduced substantially thanks to an intelligent generator management.

When the paver functions are set to automatic, the generator management system activates Alternating mode for screed heating (heats the screed alternately on the left and right), a feature which is easy on the engine and reduces fuel consumption considerably.

Screed options for the SUPER 3000-2

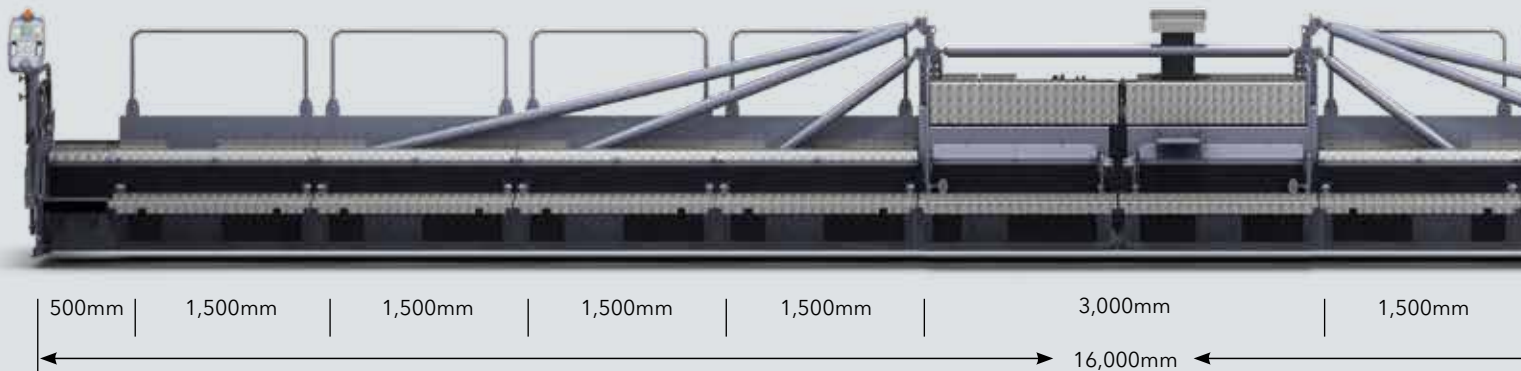
AB 600 TV

Built up to maximum pave width



SB 300 TV

Built up to maximum pave width



Hydraulic Extensions for the SB 300 Fixed-Width Screed

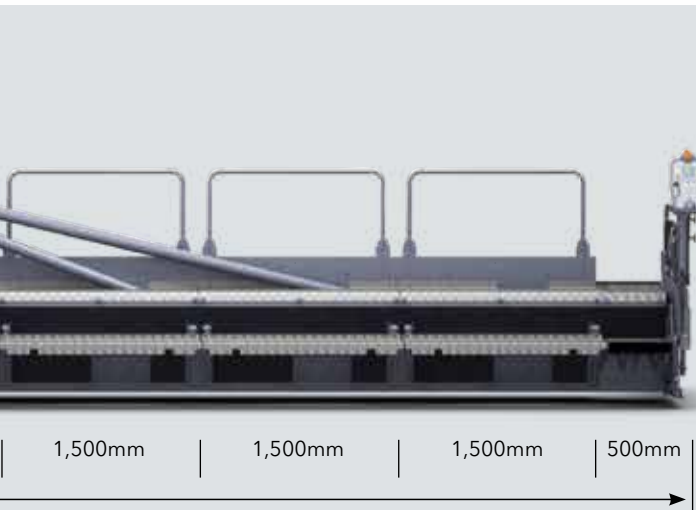
- » Turns the fixed screed into a variable screed.
- » Combines the advantages of Fixed-Width Screeds, i.e. large pave widths, with the variability of Extending Screeds.
- » Enhances the field of applications for Fixed-Width Screeds due to infinite variation in width within a range of 1.5m.
- » Saves time, as there is no need to mount and demount bolt-on extensions when it comes to adjusting the pave width.
- » Provides for non-stop paving quality.
- » The hydraulic extensions are available in the versions T (with tamper), TP1 (with tamper and 1 pressure bar) or TP2 (with tamper and 2 pressure bars).

Pave widths

- » Infinitely variable range from 3m to 6m.
- » Larger widths through the addition of bolt-on extensions up to a maximum of 9.5m.

Compacting systems

- » AB 600 TV with tamper and vibrators
- » AB 600 TP1 with tamper and 1 pressure bar
- » AB 600 TP2 with tamper and 2 pressure bars
- » AB 600 TP2 Plus with tamper and 2 pressure bars for maximum precompaction



Pave widths

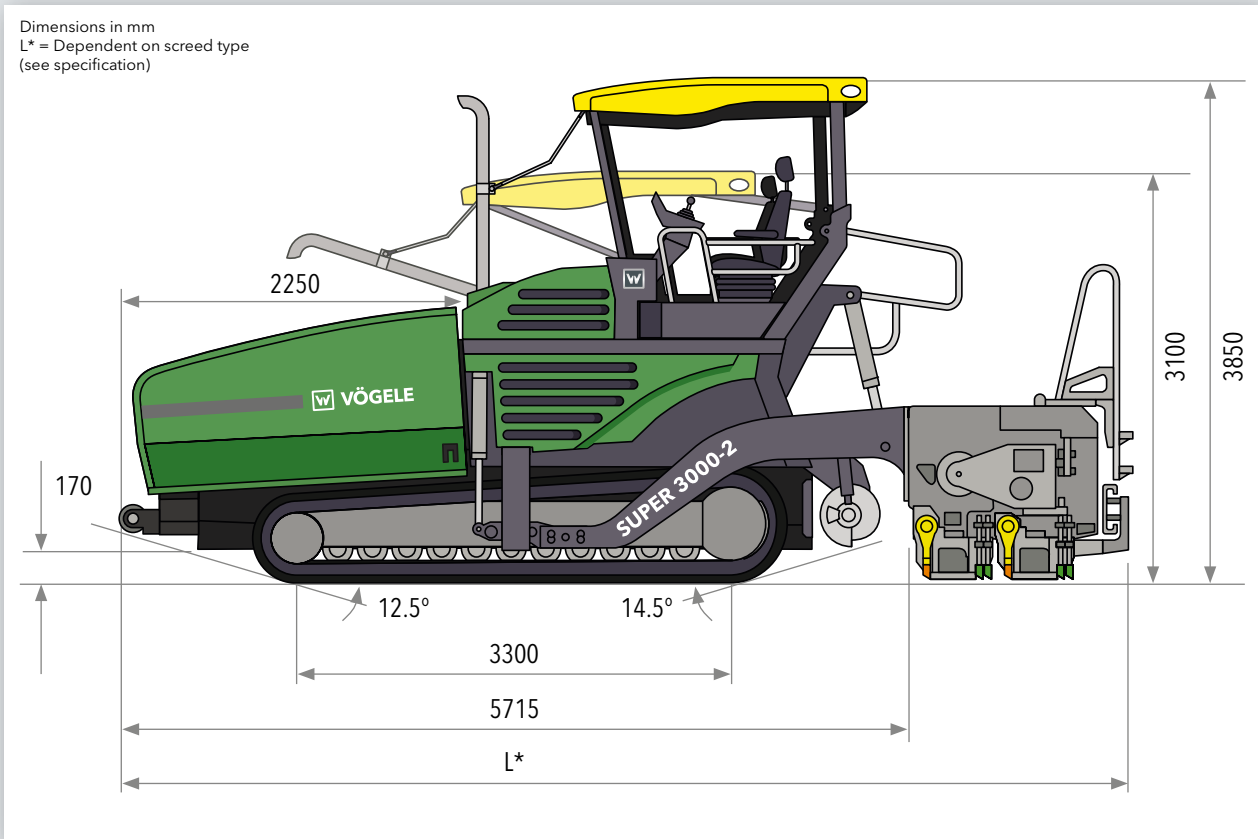
- » Basic width 3m. Larger widths through the addition of bolt-on extensions up to a maximum of 16m.
- » Thanks to 75cm hydraulic bolt-on extensions, users of fixed-width screeds can also benefit from the advantages of the VÖGELE Extending Screed technology.

Compacting systems

- » SB 300 TV with tamper and vibrators
- » SB 300 TP1 with tamper and 1 pressure bar
- » SB 300 TP2 with tamper and 2 pressure bars
- » SB 300 TVP2 with tamper, vibrators and 2 pressure bars



All the facts at a glance

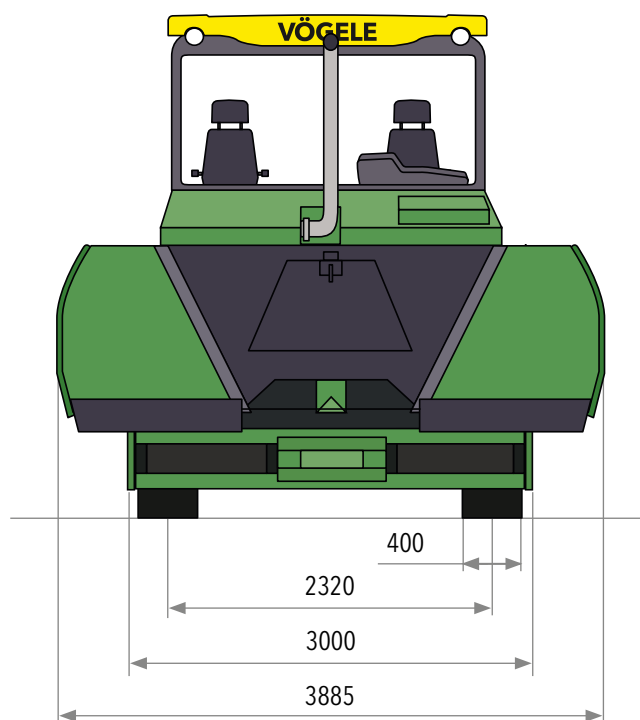


Power unit	
Engine	6-cylinder diesel engine, liquid-cooled
Manufacturer	Deutz
Type	TCD 2015 V06 4V
Output	
Nominal	300kW at 1,800rpm (according to DIN)
ECO mode	292kW at 1,500rpm
Exhaust emissions standard	EU Stage 3a, US EPA Tier 3
Fuel tank	600 litres

Undercarriage	
Crawler tracks	provided with rubber pads
Ground contact	3,300mm x 400mm
Suspension	rigid
Track tension adjuster	elastomer
Track roller lubrication	lifetime
Traction drive	hydraulic, separate drive and electronic control provided for each crawler track
Speeds	
Paving	up to 24m/min., infinitely variable
Travel	up to 4.5km/h, infinitely variable
Steering	by alteration of track running speeds

Material hopper	
Hopper capacity	17.5t
Width	3,885mm
Feed height	620mm (centre of material hopper)
Push-rollers	oscillating
Position	can be displaced forwards by 100mm

Key: AB = Extending Screed TV = with tamper and vibrators TP1 = with tamper and 1 pressure bar TVP2 = with tamper, vibrators and 2 pressure bars
 SB = Fixed-Width Screed TP2 = with tamper and 2 pressure bars TP2 Plus = with special tamper, 2 pressure bars and additional weights



Conveyors and augers	
Conveyors	2, with replaceable feeder bars, conveyor movement reversible for a short time
Drive	separate hydraulic drive provided for each conveyor
Speed	up to 43m/min., infinitely variable (manual or automatic)
Augers	2, with replaceable auger blades
Diameter	420mm
Drive	hydraulic, separate drive provided for each auger
Speed	up to 93rpm, infinitely variable
Height	infinitely variable by 20cm, hydraulic
Lubrication	centralized lubrication system with electrically driven grease pump

Screed options	
AB 600	basic width 3m
	infinitely variable range 3m to 6m
	maximum width (TV/TP1/TP2) 9.5m
SB 300	basic width 3m
	maximum width (TV) 16m
Screed versions	TV, TP1, TP2, TP2 Plus (AB 600), TVP2 (SB 300)
Layer thickness	up to 50cm (SB 300)
Screed heating	electric by heating rods
Power supply	three-phase A.C. generator

Dimensions (transport) and weights	
Length	tractor unit with screed
AB 600	TV 7m
	TP1/TP2/TP2 Plus 7.1m
SB 300	TV/TP1/TP2/TVP2 6.9m
Weights	tractor unit with screed
AB 600 TV	pave widths up to 6m 28.7t
	pave widths up to 9.5m 32.6t

Subject to technical modification.



Your VÖGELE QR Code
will take you directly
to the "SUPER 3000-2"
on our website.



JOSEPH VÖGELE AG

Joseph-Vögele-Str. 1
67075 Ludwigshafen · Germany
marketing@voegele.info

Telephone: +49 (0)621 8105 0
Fax: +49 (0)621 8105 461
www.voegele.info



® ERGOPLUS, InLine Pave, NAVITRONIC, NAVITRONIC Basic, NAVITRONIC Plus, NIVELTRONIC, NIVELTRONIC Plus, RoadScan, SprayJet, VÖGELE, VÖGELE PowerFeeder, PaveDock, PaveDock Assistant, AutoSet, AutoSet Plus, AutoSet Basic, ErgoBasic and VÖGELE-EcoPlus are registered Community Trademarks of JOSEPH VÖGELE AG, Ludwigshafen/Rhein, Germany. PCC is a registered German Trademark of JOSEPH VÖGELE AG, Ludwigshafen/Rhein, Germany. ERGOPLUS, NAVITRONIC Plus, NAVITRONIC BASIC, NIVELTRONIC Plus, SprayJet, VISION, VÖGELE, VÖGELE PowerFeeder, PaveDock, PaveDock Assistant, AutoSet, AutoSet Plus, AutoSet Basic and VÖGELE-EcoPlus are trademarks registered in the US Patent and Trademark Office to JOSEPH VÖGELE AG, Ludwigshafen/Rhein, Germany. Legally binding claims cannot be derived from written information or pictures contained in this brochure. Pictures may include optional extras. We reserve the right to make technical or design alterations.