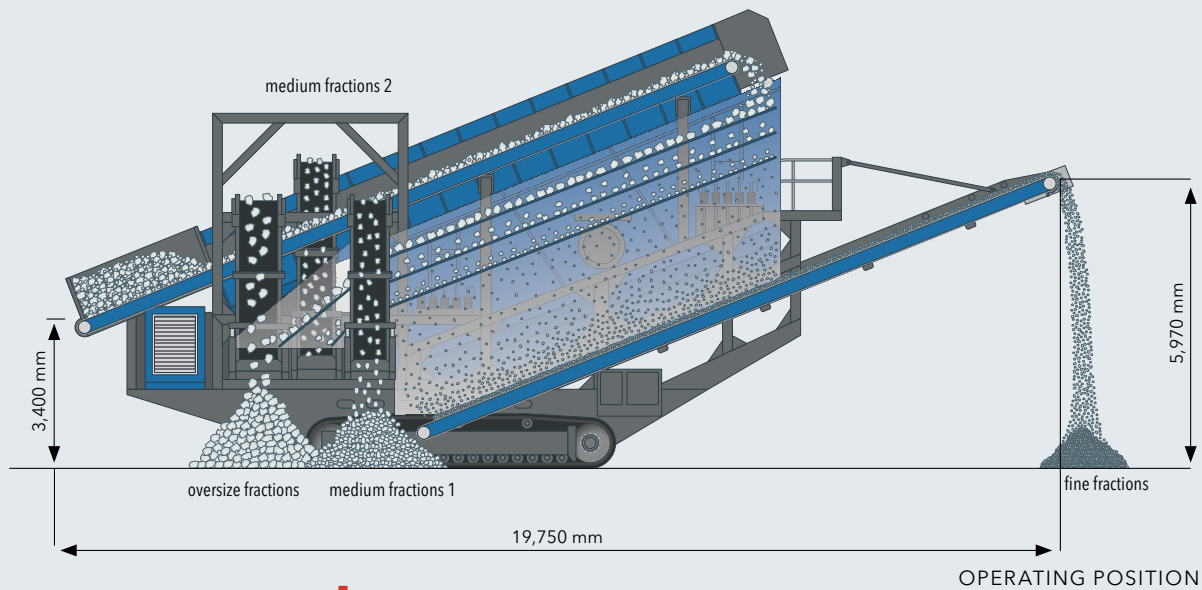




TECHNICAL SPECIFICATIONS | TRACK-MOUNTED SCREENING PLANT

MOBISCREEN MS 23 D





TECHNICAL HIGHLIGHTS

- ▣ Triple-deck screening unit
- ▣ Diesel-electrical drive
- ▣ Classifier screen for four final products
- ▣ Max. feed size: 200 mm

TECHNICAL SPECIFICATIONS MS 23 D

Feeding unit		Middle deck overflow discharge conveyor (medium fractions 2)	
Feed capacity up to approx. (t/h)	800	Width x length (mm)	800 x 10,000
Feed size max. (mm)	200	Discharge height approx. (mm)	4,390
Feed height (mm)	3,400	Belt conveyor oversize grain	
Belt conveyor feeder		Width x length (mm)	1,000 x 3,800
Width x length (mm)	1,800 x 14,000	Top deck overflow discharge conveyor (oversize fractions)	
Screening unit		Width x length (mm)	1,000 x 10,000
Type	triple-deck vibration screen	Discharge height approx. (mm)	4,390
Width x length (mm)	2,300 x 8,000	Drive	
Bottom deck underflow discharge conveyor (fine fractions)		Drive concept	Diesel-electric drive
Width x length (mm)	1,800 x 14,000	Engine power (kW)	226
Discharge height approx. (mm)	5,970	Generator (kVA)	250
Belt conveyor screen overflow (bottom deck)		Weight	
Width x length (mm)	800 x 3,800	Operating weight approx. (kg)	85,000
Bottom deck overflow discharge conveyor (medium fractions 1)		Machine dismantled for transport	
Width x length (mm)	800 x 10,000		
Discharge height approx. (mm)	4,390		
Belt conveyor screen overflow (middle deck)			
Width x length (mm)	800 x 3,800		