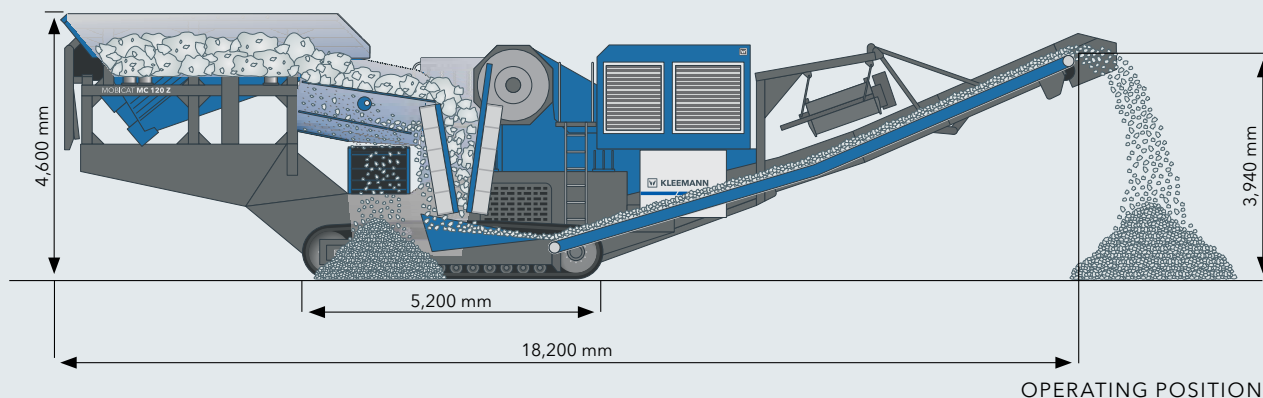


TECHNICAL INFORMATION | TRACK-MOUNTED JAW CRUSHERS

MOBICAT MC 120 Z





TECHNICAL HIGHLIGHTS

- ▣ Frequency-controlled vibrating feeder
- ▣ Vibrating extractor under the crusher
- ▣ Diesel-electric drive concept
- ▣ Option for external power supply (optional)

TECHNICAL INFORMATION MC 120 Z

Feeding unit

Feed capacity up to approx. (t/h) ¹⁾	450
Feed size max. (mm)	1,080 x 680
Feed height (with extension) (mm)	4,600 (5,200)
Width x Length (with extension) (mm)	2,850 x 4,100 (3,600 x 4,700)
Hopper volume (with extension) (m ³)	10.5 (15)

Vibrating feeder

Width x Length (mm)	1,200 x 3,500
---------------------	---------------

Prescreening

Type	double-deck heavy-piece screen
Width x Length (mm)	1,200 x 2,500

Side discharge conveyor (optional) ²⁾

Width x Length (extended) (mm)	650 x 6,000
Discharge height approx. (extended) (mm)	3,500

Crusher

Single toggle jaw crusher type	STR 1,200 x 800
Crusher inlet width x depth (mm)	1,200 x 800
Crusher weight approx. (kg)	24,500
Crusher drive type approx. (kW)	electric, 160
Adjustment range of gap width (mm) ²⁾	45 - 175
Crusher gap adjustment	hydraulic / mechanical

Crushing capacity ³⁾

with CSS 85 mm: approx. from - to (t/h)	145 - 190
with CSS 100 mm: approx. from - to (t/h)	165 - 215
with CSS 130 mm: approx. from - to (t/h)	205 - 270
with CSS 160 mm: approx. from - to (t/h)	250 - 320

Vibrating extractor

Width x Length (mm)	1,300 x 2,600
---------------------	---------------

Crusher discharge conveyor

Width x Length (extended) (mm)	1,400 x 10,000 (11,500)
Discharge height approx. (extended) (mm)	3,970 (4,500)

Power supply unit

Drive concept	diesel-electric drive
Scania (Tier 3/Stage IIIA) (kW)	364 (1,500 rpm)
Scania (LRC) (kW)	365 (1,500 rpm)
Generator (kVA)	410

Transport ⁴⁾

Transport height approx. (mm)	4,110
Transport length approx. (mm)	16,760
Transport width max. (mm)	3,085
Transport weight approx. (kg)	70,000

¹⁾ dependent on the type and composition of the feed material, the feed size, the prescreening, as well as the desired final grain size

²⁾ gap width range can be changed by using special crusher jaws and/or pressure plates

³⁾ for hard stone, CSS = Close Side Setting

⁴⁾ no options

Standard features: Hydraulically foldable feed hopper / Frequency-controlled vibrating feeder / Ultrasonic probe / Radio remote control / PLC control with LCD display / Control cabinet, with double dust encapsulation, lockable, suspended and with over pressure system / Lighting

Options: Hopper extension / Side discharge conveyor / Electromagnetic separator, permanent magnet, magnet preparation / Hydraulic folding device for crusher discharge conveyor / Hydraulic folding device for extended crusher discharge conveyor / Socket 110 V / External power supply / Preparation for installation of belt scale / Belt covers for side discharge conveyor (aluminium, tarpaulin) / Remote maintenance using GSM modem / Spray system for dust reduction