

Highway Class

# **SUPER 2100-3i**

## **TRACKED PAVER**



Maximum pave width 13m  
Maximum laydown rate 1,100 tonnes/h  
Transport width 2.55m





## Powerful, economical, quiet



**The SUPER 2100-3i** is the most powerful paver in VÖGELE's "Dash 3" machine generation. This cutting-edge machine features a future-oriented design, more comfort and convenience, as well as high performance with minimum consumption.

Product designers mainly focused on ecological, economic and ergonomic aspects when developing the "Dash 3" generation. The VÖGELE EcoPlus Package, for instance, significantly reduces fuel consumption and noise levels.

The popular ErgoPlus 3 operating system, too, has been provided with a number of additional ergonomic and functional features. The paver operator's console, for example, comes with a large colour display ensuring brilliant readability even in poor lighting conditions.

New VÖGELE developments always arise from operational requirements. With AutoSet Plus we have enhanced the efficiency, convenience and quality of key job site processes. Both the continuation of work after interruptions to paving and moves of the paver on the job site are greatly facilitated by the AutoSet Plus function.

PaveDock Assistant and PaveDock push-rollers make a perfect combination, ensuring maximum process safety when transferring mix.

All of these features make this Highway Class machine a true SUPER paver.



# The highlights of the SUPER 2100-3i



**Tracked Highway Class paver** with a large range of applications and pave widths up to 13m

**Powerful and economical drive concept**, even when operating at full load in any climate zone

**The VÖGELE EcoPlus low-emissions package** significantly reduces fuel consumption and noise levels

**Optimum feeding with mix** thanks to the large material hopper, PaveDock sprung push-rollers and PaveDock Assistant communication system

**ErgoPlus 3 operating system** with numerous convenient and automatic functions

**All screeds** can be used with high compaction technology



## Efficient high performance with low consumption



**The powerful six-cylinder diesel engine** rated at 186kW is the force behind this Highway Class paver.

**Intelligent engine management** with ECO mode and VÖGELE EcoPlus low-emissions package keep fuel consumption and noise levels low.

**Low input – maximum output:** all drive components including the three-phase A.C. generator are powered via the central splitter gearbox and operate with maximum efficiency.

**Crawler tracks** with high tractive power efficiently translate the engine output into pave speed.



## Future-proof drive technology

**Three main components** define the power unit of a SUPER 2100-3i: its modern, liquid-cooled diesel engine, a splitter gearbox flanged directly to the engine and a large cooler assembly.

The driving force in this power pack from VÖGELE is its Cummins diesel engine of type Typ QSB6.7-C250. This six-cylinder engine delivers 186kW at 2,000rpm. Yet the fuel-saving ECO mode is sufficient for many applications. And even then, the SUPER 2100-3i still has a full 175kW at its disposal. Moreover, the machine generates even less noise when running at just 1,700rpm.

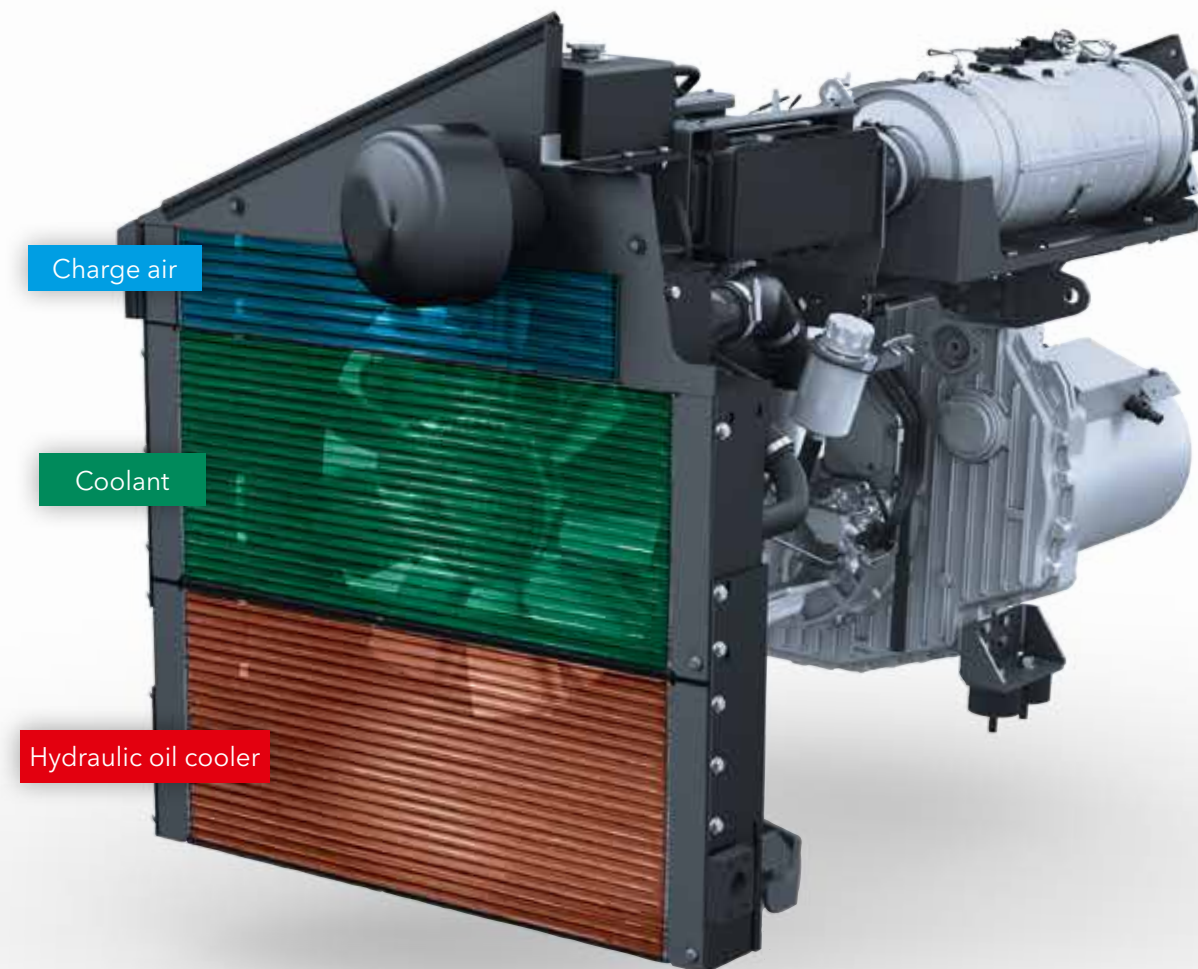
A large cooler assembly ensures that the power unit always delivers its full output. With innovative air routing and a variable-speed fan, temperatures

are continually maintained within the optimum range, significantly extending the service life of both the diesel engine and the hydraulic oil. A further advantage is that the machine can operate without difficulty in all climate regions worldwide.

All hydraulic consumers are directly supplied with hydraulic oil via the splitter gearbox. The advantage is that all hydraulic pumps and valves are centrally located, making them easily accessible for servicing. Even the powerful generator for screed heating is flanged directly onto the splitter gearbox; its integrated oil cooling system makes it completely maintenance-free and very quiet.



The power unit of the SUPER 2100-3i with diesel oxidation catalyst (DOC) and selective catalytic reduction (SCR) for exhaust gas after-treatment complies with the strict requirements of European exhaust emissions standard Stage 4 and US EPA standard Tier 4f.



The large cooler assembly is made up of three parts. It ensures that engine coolant, charge air and hydraulic oil are maintained at the optimum temperature.

» **Machines with the suffix "i"** in their product designation are not only economical, but also extremely clean.

The "i" stands for "intelligent emission control" and is found in the type names of all machines from the WIRTGEN GROUP equipped with the latest engine technology.

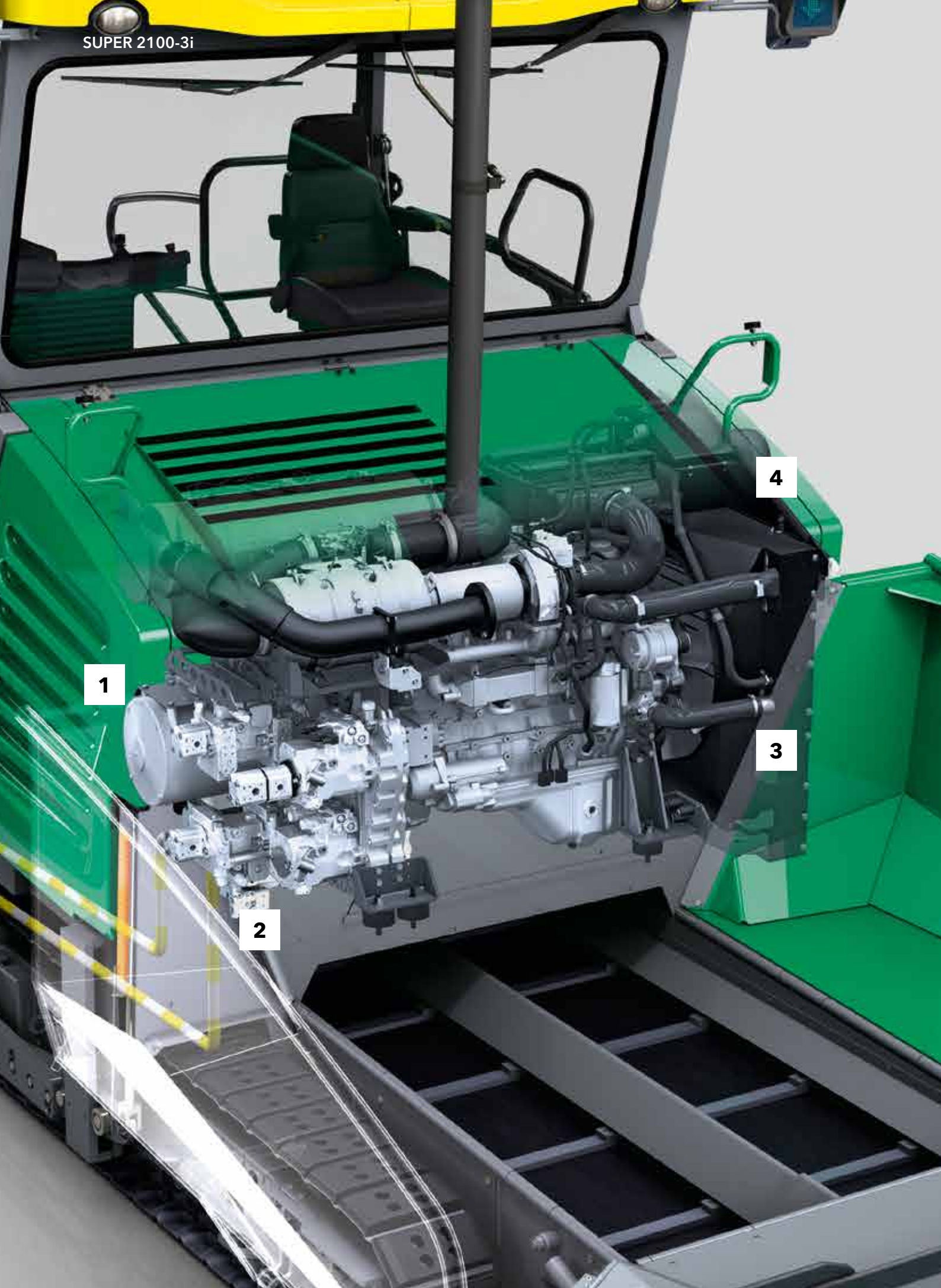
Depending on the exhaust gas after-treatment version concerned, these engines comply with the strict requirements of European emissions standard Stage 3b or 4 as well as US EPA standards Tier 4i or 4f.

» **Powerful yet economical** Cummins 6-cylinder diesel engine with ECO mode.

» **ECO mode for paver operation** at 1,700rpm is perfectly adequate for numerous applications. It cuts operating costs and allows superquiet operation.

» **A powerful, oil-cooled generator** with direct drive ensures rapid, uniform heating of the screed. In the "Dash 3" generation, the generator is directly driven by the splitter gearbox. The drive system is therefore maintenance-free.





# VÖGELE EcoPlus

## Low-emissions package

The philosophy behind the drive concept of the "Dash 3" generation was "lower consumption – lower emissions – lower costs". In this respect, the innovative VÖGELE EcoPlus low-emissions

package includes a whole series of measures to significantly reduce fuel consumption and noise levels.



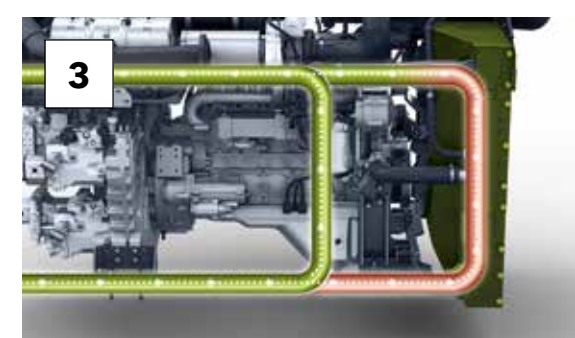
**Splitter gearbox with ability to disengage hydraulic pumps**

When the paver is stationary, e.g. during longer waits, all the hydraulic pumps needed for "traction", "conveyors and augers" and "compaction" are automatically disengaged. This function cuts fuel consumption considerably. Reducing the trailing load also makes it significantly easier to start the paver at low ambient temperatures.



**Energy-optimized tamper drive**

The tamper is driven by a variable-displacement pump which always delivers exactly the amount of oil needed for the current tamper speed and not a drop more or less.



**Controlled hydraulic oil temperature circuit**

A bypass circuit allows the hydraulic oil to reach its optimum operating temperature very quickly. This in turn permits rapid, fuel-saving operation of the paver. The hydraulic oil is not led through the cooler assembly before its temperature has exceeded the optimum level of 50 – 70°C.



**Variable-speed fan**

The variable-speed fan automatically adapts to the engine load and the ambient temperature. The fan is driven via a viscous coupling. This type of fan drive, in contrast to a hydraulic drive, stands out through considerably greater energy efficiency and much lower noise levels.



## Efficient translation of tractive power

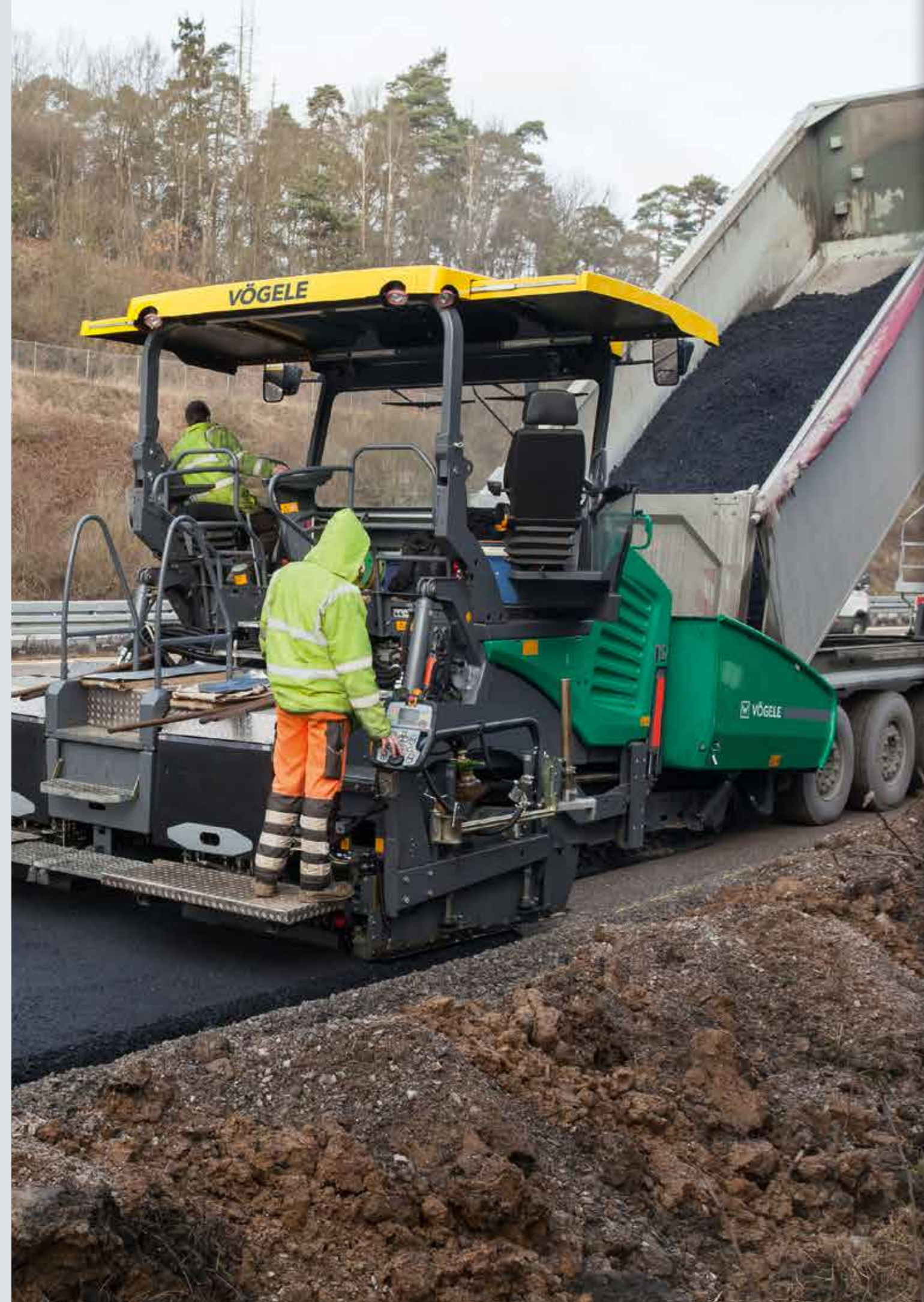
**High-quality separate hydraulic drives** are essential components of the VÖGELE drive concept. They allow our pavers to operate outstandingly and therefore extremely cost-efficiently.

Since the traction drive units are directly integrated into the sprockets of the crawler tracks, engine output is translated into pave speed without any loss of power.



- » **The hydraulic systems** for the traction drive, conveyors and augers as well as the compacting systems all operate in separate closed circuits for maximum efficiency.
- » **Long crawler tracks** with large footprints provide for maximum tractive effort, allowing the paver to progress well at a constant speed even when operating on difficult terrain.

- » **Positive tracking** when moving straight and accurate cornering due to separate drive and electronic control provided for each crawler track.
- » **The sturdy deflectors** in front of the crawler tracks reliably clear any spilled mix out of the way. With the AutoSet Plus option, the deflectors in front of the crawler tracks can even be raised and lowered hydraulically.





# Perfect paving quality thanks to perfect material management



**A continuous flow of mix** is key to ensuring uninterrupted and high-quality paving. That is why we attach such importance to professional material management when designing our pavers.

All our development efforts focus on simple operation and the best possible overview for the paving team.

PaveDock Assistant from VÖGELE is an innovative solution standardizing and simplifying communication between the paver operator and driver of the feed vehicle.



## Large material hopper

As with all VÖGELE pavers, supplying the SUPER 2100-3i with mix is a clean, safe and swift process.

Thanks to a hydraulically operated hopper front (option), the mix inside the material hopper is directed right onto the conveyors and the entire mix properly conveyed in front of the screed.

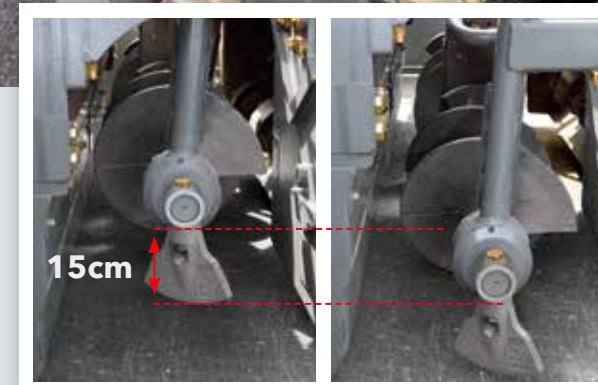


- » **The large material hopper** holding 14t is amply dimensioned so that a sufficient quantity of mix is stored at all times. There is no problem tiding over difficult situations such as paving under bridges, for instance.
- » **Easy feeding with mix** thanks to low material hopper, wide hopper sides and sturdy rubber baffles fitted to the hopper front.
- » **Especially large oscillating push-rollers** for convenient and shock-free docking of feed vehicles even in curves.
- » **The oscillating push-rollers** can be displaced forwards by 75 or 150mm to cater to the most diverse feed vehicles.

## Precise spreading of mix across the full pave width

The augers of the SUPER 2100-3i are hydraulically infinitely variable in height up to 15cm, even while paving.

This provides for quick and easy adaptation to the desired layer thickness across the full pave width.

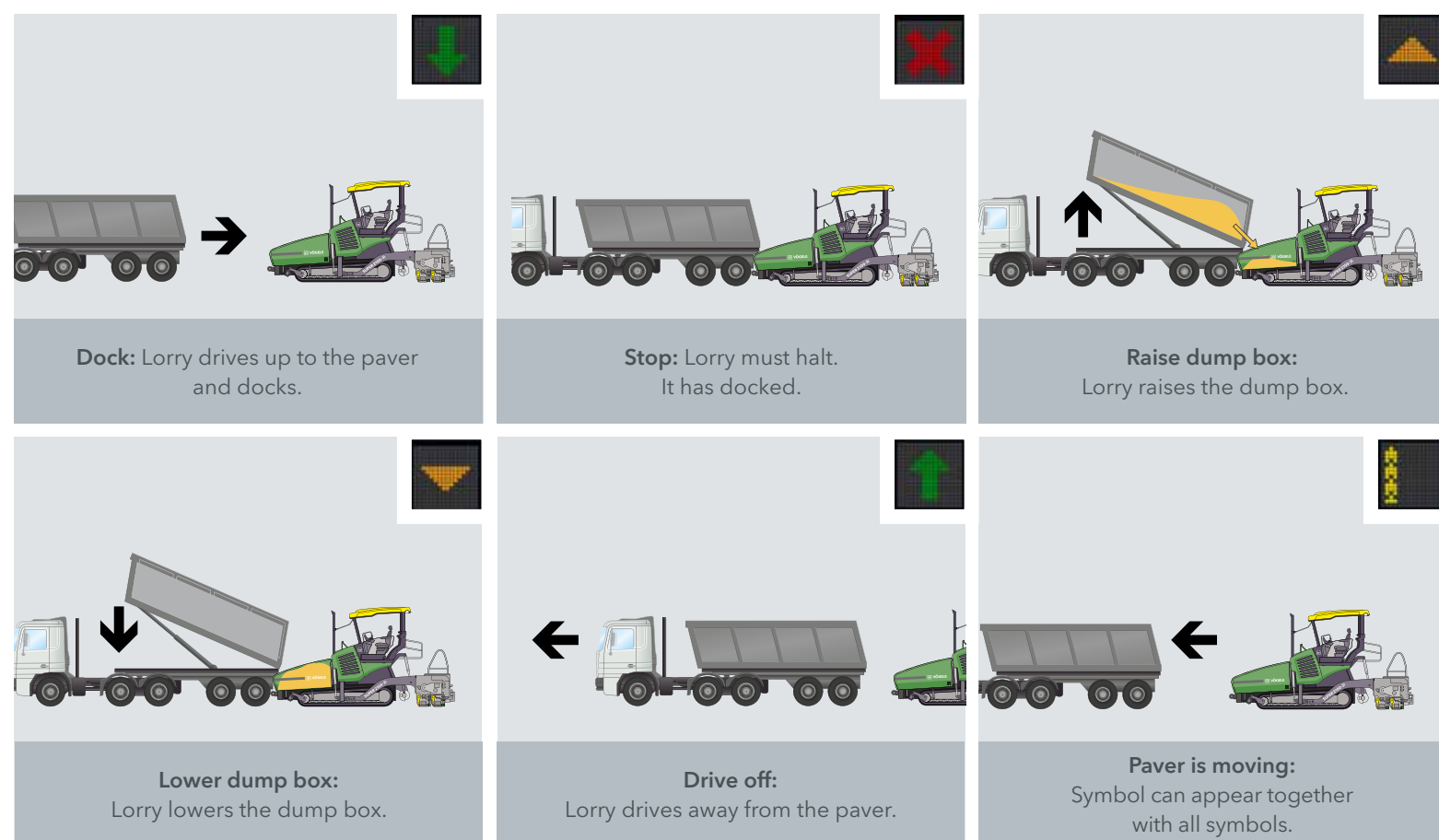


The height of the augers complete with bearing boxes and limiting plates for the auger tunnel can be hydraulically adjusted by up to 15cm across the full pave width. This optimizes the head of mix in front of the screed, even when paving thin layers or when layer thickness varies.

- » **Powerful, separate hydraulic drives** installed for conveyors and augers, thus permitting high laydown rates up to 1,100t per hour.
- » **Large auger blades** (diameter 480mm) provide for an optimal head of mix in front of the screed and prevent segregation, even when paving across large widths.
- » **Hydraulic adjustment** of the augers in height, complete with bearing boxes and limiting plates for the auger tunnel, allows the paver to be moved on the job site without a need for conversion, a benefit that saves time and money.

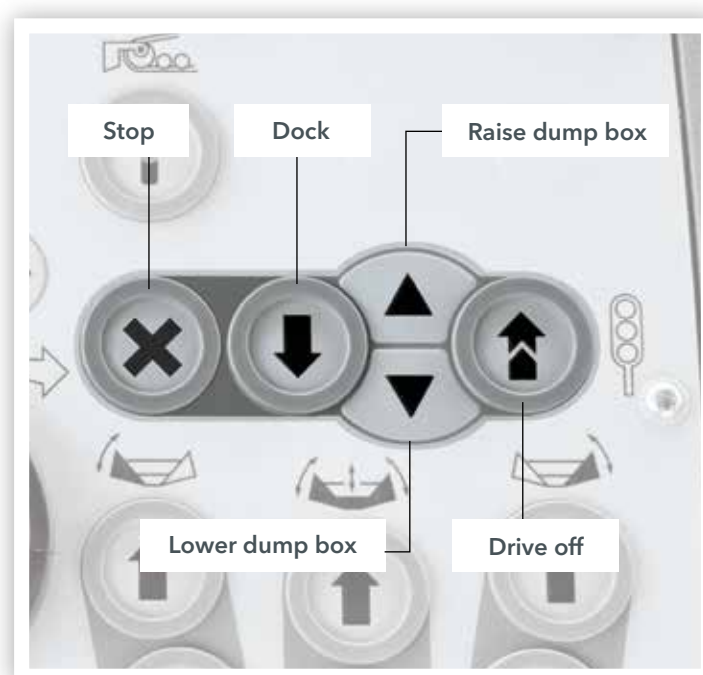


## PaveDock Assistant: The communication system

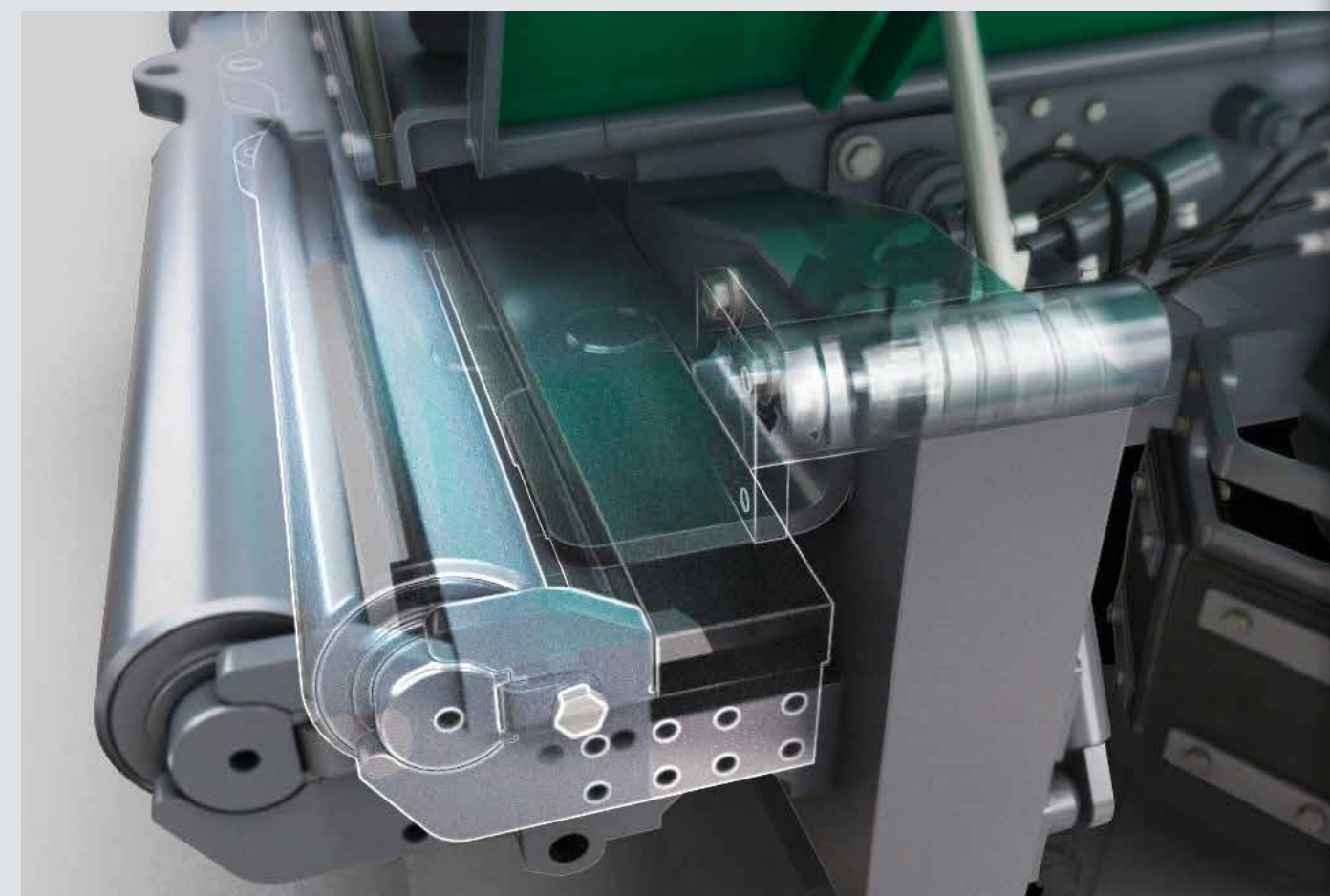


**PaveDock Assistant** is the communication system between the paver operator and the driver of the feed vehicle. It allows particularly fast and reliable transfer of mix to the paver. Signal lights on the paver and the associated controls on the paver operator's ErgoPlus 3 console are key components.

The paver has two sets of signal lights, mounted on the right and left of the hardtop. With these lights, the paver operator can give the driver of the feed vehicle unmistakable signals, indicating what needs to be done (e.g. reverse, stop, dump mix). Having two lights, each in an elevated position, ensures that all signals are clearly visible to the feed vehicle driver from all angles of approach.



## PaveDock dampens impacts effectively



**As an alternative** to the oscillating push-rollers, VÖGELE also supply PaveDock sprung push-rollers. These absorb jolts by the feed vehicle even more effectively and reliably, thus ensuring that they are not transmitted to the finished pavement.

Together with the PaveDock Assistant, the sprung push-rollers maximize process safety during transfer of the mix: a sensor installed in the sprung push-rollers indicates whenever a feed vehicle has docked onto the paver. The signal lights display the stop signal automatically and directly. The feed vehicle driver can thus react immediately.



# Automated processes with AutoSet Plus

With **AutoSet Plus**, we have enhanced the efficiency, convenience and quality of key job site processes. AutoSet Plus has two handy automatic functions.

The Repositioning and Transport function greatly facilitates the continuation of work when moving the paver on the job site from one work section to another, or after the paver has been transported.

Simply pressing the "Execute" button quickly and reliably readies the machine for travel on the job site, or for transport. Pressing the button again returns it to the previously stored working position.

The Paving Programs function allows the operating personnel to save the configured machine parameters and store these as a paving program in the menu. This program can then be called up and used whenever needed.

The two comfort functions of AutoSet Plus automate routine tasks, allowing work processes to be carried out more quickly and with greater control. This in turn means that construction projects can be completed faster and more reliably.



## 1 // AutoSet Plus – Repositioning function

Fast and safe repositioning of the paver on the job site.

No settings are lost between paving and repositioning.

Also prevents any damage to the augers and deflectors in front of the crawler tracks.

## 2 // AutoSet Plus – Paving Programs function

Automated configuration of the paver.

Stores all paving-relevant parameters.

Selection of stored paving programs.

Reproducible quality.





## AutoSet Plus Repositioning function

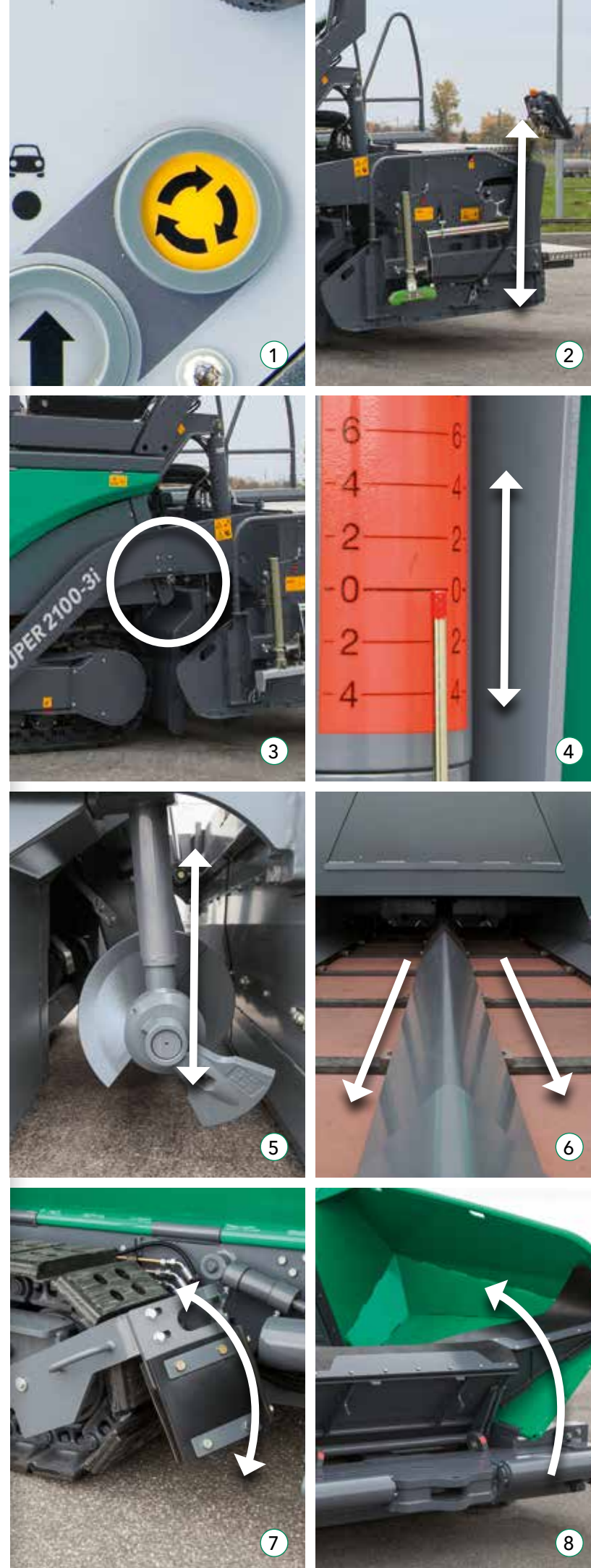
**AutoSet Plus** is especially helpful when the machine frequently has to be moved on the job site.

Simply pressing the "Execute" button raises the augers, the hydraulically operated hopper front and the deflectors in front of the crawler tracks to the uppermost positions. The screed and the screed tow point rams are brought into transport position. In addition, the screed is locked hydraulically in transport position. The conveyors are temporarily reversed, preventing mix from falling to the ground when the paver travels to the next work section on site.

Once the paver has been repositioned, pressing the "Execute" button again returns all systems to the previously stored working positions.

This ensures that no settings are lost when changing from paving to repositioning or transport. It also effectively prevents any damage to the machine.

1. The **AutoSet Plus Repositioning function** is activated just by pushing the "Execute" button.
2. **Raise / lower** screed.
3. **Lock / unlock** screed.
4. **Screed tow point rams** in transport position / at last set value.
5. **Raise / lower** augers.
6. **Conveyor movement** reversible for a short time.
7. **Raise / lower** deflectors in front of the crawler tracks.
8. **Raise** hopper front.



## AutoSet Plus Paving Programs



**The automatic Paving Programs function** allows the operating personnel to store their own paving programs. All key parameters for paving a specific layer (example: base course of asphaltic concrete, 18cm thick) can thus be saved.

On the display of his console, the paver operator saves the values set for the compacting systems (tamper and vibrator speed, pressure for the pressure bars), height of the augers, position of the tow point rams, pressure for Screed Assist and the pave speed in his program.

He also enters the amount of crown and the screed temperature. The program is completed with additional information on the material being used, the layer thickness and the pave width.

The stored paving programs can subsequently be selected and used at any time via the menu. In the event of a repeat situation, this ensures that work is carried out with exactly the same settings while maintaining a consistent quality.



## The ErgoPlus 3 operating concept

**Even the very best machine** with the most advanced technology can only really show its strengths if it can be operated easily and as intuitively as possible. At the same time, it should offer an ergonomic and safe working environment for the operating team. Therefore, the ErgoPlus 3 operating concept focuses on the operator. With VÖGELE pavers, the user consequently retains full control over the machine and construction project.

On the following pages example illustrations will provide you with more detailed information on the extensive functions of the ErgoPlus 3 operating concept. ErgoPlus 3 encompasses the operator's stand, the paver operator's console and screed consoles and Niveltronic Plus, the System for Automated Grade and Slope Control.





The paver operator's  
**ErgoPlus 3** console

**“Full control for the machine operator”**




# The paver operator's ErgoPlus 3 console

The paver operator's console is extremely clear and has been designed according to practical principles. All functions are combined into logical groups, so that the operator finds each function exactly where he would expect it to be.

On the ErgoPlus 3 console, all push-buttons are easily identifiable by touch even when wearing work gloves. Once a button is pressed, off you go thanks to the "Touch and Work" principle. This means that a function is executed directly – without a need to confirm.


**No-load function**

The no-load function is provided for the warm-up or cleaning of conveyors, augers and tamper.




**Reversing conveyor movement**

In order to avoid mix dropping from the conveyors during a move of the paver on the job site, conveyor movement can be reversed at the push of a button. Reverse movement, transferring mix from the rear of the conveyor tunnel back inside, takes place for a short time only and stops automatically.




**AutoSet Plus Repositioning function (option)**

With the AutoSet Plus Repositioning function, the paver is quickly and safely prepared for a move on the job site at the push of a button. After the move, all paver components are reset to their previous working positions, simply by pressing the button again. This ensures that no settings are lost when changing between "Pave" and "Job Site" modes. AutoSet Plus also effectively prevents damage during transport.




**Choice of operating modes for the paver**

All the main paving and machine functions can be controlled directly by individual push-buttons on the paver operator's ErgoPlus 3 console. By pressing the arrow buttons, up or down, the operator changes modes in the following order: "Neutral", "Job Site", "Positioning" and "Pave". An LED indicates the mode selected.



**Safe operation during the night**

Glarefree backlighting comes on automatically as darkness sets in so that the paver operator can also work safely on night-time jobs.






- Module 1: Conveyors and augers, traction
- Module 2: Screed
- Module 3: Material hopper and steering
- Module 4: Display for monitoring and adjustment of basic settings


**Display of the paver operator's console**

The high-contrast colour display provides for brilliant readability even in poor lighting conditions. Vital information is shown on menu level 1, such as the positions of the screed tow point rams or the material level in the conveyor tunnel. Further paver functions such as speeds of tamper and vibrators or feed rate of the augers can easily be set up via the display, too. And the display gives access to machine-related information such as fuel consumption or service hours.




**PaveDock Assistant (option)**

With the PaveDock Assistant signal lights, the paver operator can give the driver of the feed vehicle unmistakable signals, indicating what needs to be done (e.g. reverse, stop, dump mix). The lights are conveniently activated directly from the paver operator's ErgoPlus 3 console.




**Choice of engine speed ranges**

For the engine, there is a choice of three modes to select from: MIN, ECO and MAX. To switch modes for engine rpm, all the operator needs to do is press the arrow buttons, up or down. In ECO mode, the engine delivers sufficient power for a great number of paving applications. Operating in ECO mode reduces noise emissions and fuel consumption considerably.



**Screed Assist (option)**

This button switches Screed Assist on (LED lights up) or off. Screed Assist pressure and balance can be set via the display. Screed Assist is active only when the screed is floating.





# The ErgoPlus 3 screed console



**The screed is crucial for pavement quality.** Therefore, easy and positive handling of all screed functions is of the utmost importance for high-quality road construction.

With ErgoPlus 3, the screed operator has the paving process at his fingertips. All functions are easily comprehensible and all controls are clearly arranged.

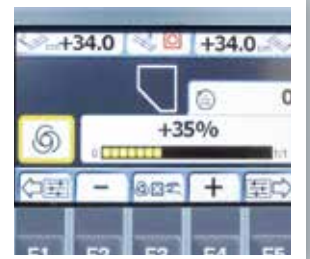
### The screed console

The screed console is designed in keeping with the conditions prevailing on the job site. Push-buttons are provided for the frequently used functions operated from the screed console. These are watertight and enclosed in palpably raised rings, so that they are identifiable blindfold simply by touch even when wearing work gloves. Important paver and screed data can be called up and adjusted from the screed console, too.



### The display of the screed console

The display of the screed console allows the screed operator to control and monitor both the left and the right side of the screed. Machine-related parameters such as tamper speed or conveyor speed can be adjusted conveniently via the display panel of the screed console. The clear menu structure, combined with easily understandable, self-explanatory symbols neutral in language, makes operating the display panel both simple and safe.



### Crown adjustment at the press of a button

The crown can be conveniently adjusted at the press of a button on the screed operator's console. When pressing the "plus" or "minus" keys, the set crown value is shown on the display.



### Ergonomic screed width control in two speeds

The screed width can be effortlessly adjusted by means of the SmartWheel. This is done in two speeds: slow, for precise control e.g. along an edge, or fast, for rapid extension or retraction of the screed.



### Optimum visibility even in darkness

The screed console is specially designed for night-time operation. To prevent operator errors, the buttons are backlit as soon as dusk falls or in darkness. What's more, the downward-angled high-power LED lighting gives the operator a perfect view of all processes associated with the side plate.





# VÖGELE Niveltronic Plus

**Niveltronic Plus**, the System for Automated Grade and Slope Control, is an in-house development by JOSEPH VÖGELE AG based on many years of experience in grade and slope control technology. Easy operation, precision and reliability are its hallmarks, ensuring perfect mastery of all grade and slope control jobs.

This fully integrated system is optimally adapted to the machine technology of the SUPER pavers. All wiring and connections, for instance, are integrated into the tractor unit and screed, effectively eliminating all risk of damage to these components.

VÖGELE naturally offer a particularly large and practical selection of sensors permitting versatile use of the Niveltronic Plus system. Whether car parks, roundabouts or highways need to be built or rehabilitated, VÖGELE offer the right sensor for every job site situation.

Sensors can be changed quickly and easily, for Niveltronic Plus automatically detects which sensor is connected, thus simplifying the configuration process for the user.



Left-hand side of screed	Right-hand side of screed
The value (in cm) displays the height of the tow point ram on the left-hand side.	The value (in cm) displays the height of the tow point ram on the right-hand side.
Shows the value specified for the sensor on the left-hand side. For grade sensors, values are indicated in mm. When working with the slope sensor, values are indicated in percent.	Shows the value specified for the sensor on the right-hand side. For grade sensors, values are indicated in mm. When working with the slope sensor, values are indicated in percent.
Shows the type of sensor selected for the left-hand side. Displayed here in this example is the symbol of the sonic sensor used in Ground mode.	Shows the type of sensor selected for the right-hand side. Displayed here in this example is the symbol of the sonic sensor used in Ground mode.
Shows the actual value picked up by the sensor.	Shows the actual value picked up by the sensor.
Shows the sensitivity set for the sensor selected.	Shows the sensitivity set for the sensor selected.







## The ErgoPlus 3 operator's stand

### 1. The comfortable operator's stand gives

an unobstructed view of all crucial areas on the paver such as material hopper, steering guide or screed.

### 2. The seats swinging out to the sides and an

operator's stand of streamlined design provide for maximum visibility of the auger tunnel, permitting the paver operator to keep an eye on the head of mix in front of the screed at all times.

### 3. Working comfort

The paver operator's seat and console, as well as the screed consoles can now be adjusted even more easily to personal needs.

### 4. A place for everything and everything in its place

The operator's stand, with its streamlined design, is well organized, offering the paver operator a professional workplace. The operator's console can be protected by a shatter-proof cover to prevent wilful damage.

### 5. Hardtop gives excellent protection

The modern hardtop made of glass fibre-reinforced polymer material shelters the operator, come rain or shine.

### 6. Consistent service concept

All "Dash 3" pavers have a consistent maintenance concept with identical service intervals.

### 7. Safe and comfortable ascent

The walkway and comfortable middle ascent on the screed ensure safe and convenient access to the operator platform.

### 8. Ergonomic screed console

The height and position of the console are easily adjusted. The high-contrast colour display can be read clearly from all angles.



## Screed options for all paving applications

Given its enormous tractive power and high laydown rate, the SUPER 2100-3i is the ideal machine for paving in large widths. In order to achieve an optimal paving result for every kind of application, VÖGELE offer screeds which operate with high precision. A variety of screed options are available for the SUPER 2100-3i, featuring different equipment with compacting systems. The paver can be combined with the SB 250 Fixed-Width Screed and the AB 500 and AB 600 Extending Screeds.



**The AB 500 and AB 600 Extending Screeds**, which stand out through their excellent adaptability, are ideal for paving in varying widths and on winding roads. Their sturdy single-tube telescoping system permits top-precision screed-width control. Even with the screed set to its maximum width, the telescoping tubes are extended by no more than half, thus providing for superb screed stability and zero flexing.

**The VÖGELE AB 500 and AB 600 Extending Screeds** are available for the SUPER 2100-3i in the TV version (with tamper and vibrators) for standard compaction or in the TP1 or TP2 versions (with 1 or 2 pressure bars) for high compaction. The AB 500 and AB 600 Extending Screeds in the TP2 Plus version are available for paving binder course and base course with maximum precompaction.

**The SB 250 Fixed-Width Screed** handles a maximum pave width of 13m and is ideally suited to use on large job sites. High performance and cost-effective paving are its strengths. Equipped with the full set of compacting systems, the SB 250 in the TVP2 version achieves a maximum degree of density. Thanks to 75cm hydraulic bolt-on extensions, the pave width is infinitely variable within a range of 1.5m.

**The Extending Screeds** guarantee homogeneous surface texture thanks to uniform heating of screed plates, tamper bars and pressure bars.

**Even with the paver's engine running** at minimum rpm, the time required for the screed to reach its operating temperature is reduced substantially thanks to an intelligent generator management.

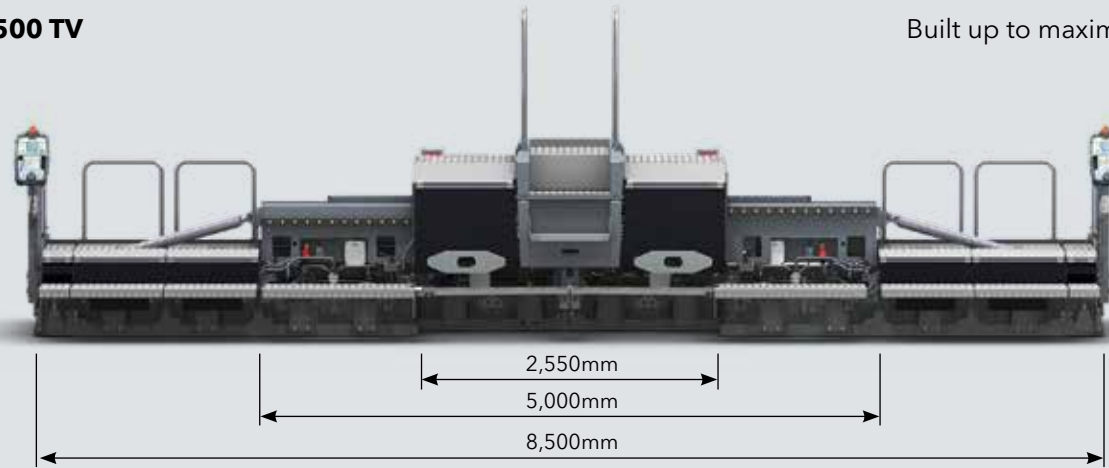
**When the paver functions** are set to automatic, the generator management system activates Alternating mode for screed heating (heats the screed alternately on the left and right), a feature which is easy on the engine and reduces fuel consumption considerably.



# Screed options for the SUPER 2100-3i

## AB 500 TV

Built up to maximum pave width



### Pave widths

- » Infinitely variable range from 2.55m to 5m.
- » Larger widths through the addition of bolt-on extensions up to a maximum of 8.5m.

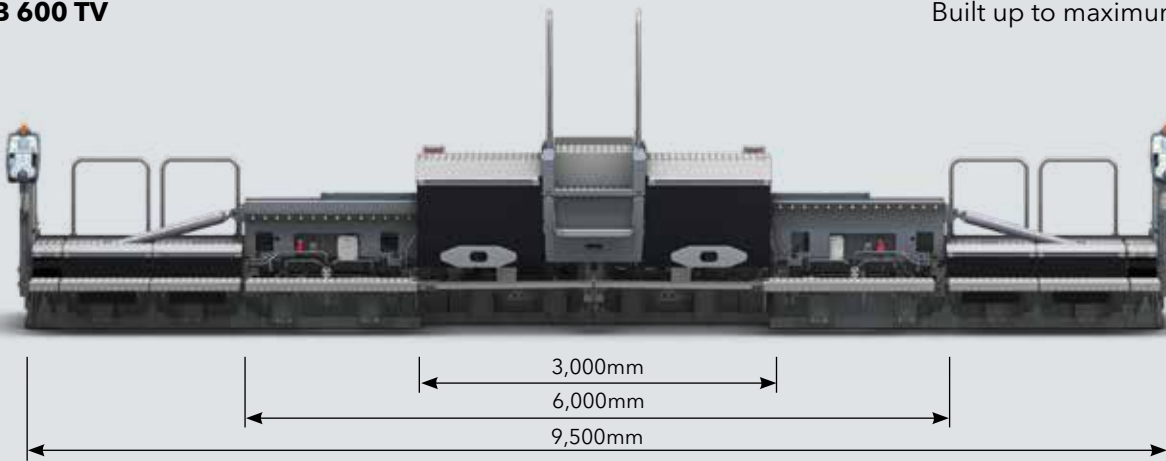
### Compacting systems

- » AB 500 TV with tamper and vibrators
- » AB 500 TP1 with tamper and 1 pressure bar
- » AB 500 TP2 with tamper and 2 pressure bars
- » AB 500 TP2 Plus with tamper and 2 pressure bars for maximum precompaction



## AB 600 TV

Built up to maximum pave width



### Pave widths

- » Infinitely variable range from 3m to 6m.
- » Larger widths through the addition of bolt-on extensions up to a maximum of 9.5m.

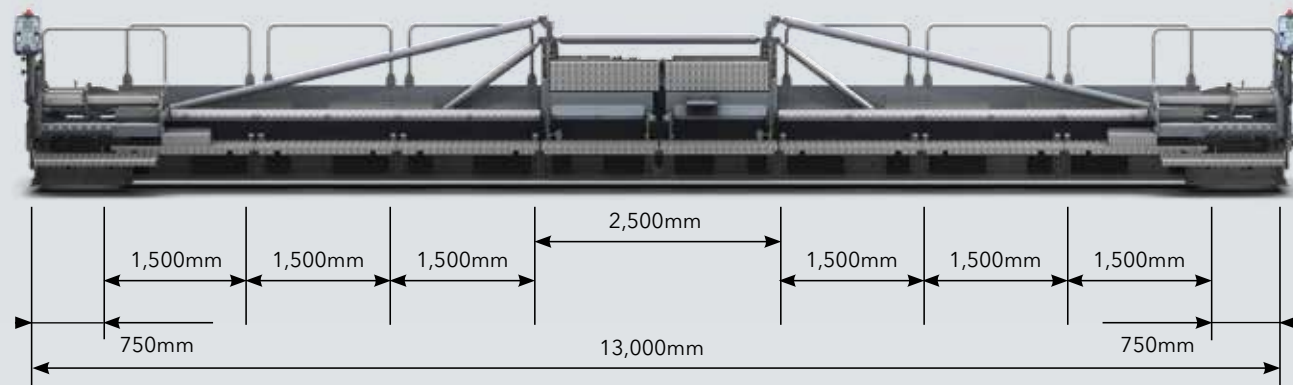
### Compacting systems

- » AB 600 TV with tamper and vibrators
- » AB 600 TP1 with tamper and 1 pressure bar
- » AB 600 TP2 with tamper and 2 pressure bars
- » AB 600 TP2 Plus with tamper and 2 pressure bars for maximum precompaction



## SB 250 TV

Built up to maximum pave width



### Pave widths

- » Basic width 2.5m. Larger widths through the addition of bolt-on extensions up to a maximum of 13m.
- » Thanks to 75cm hydraulic bolt-on extensions, pave width is infinitely variable within a range of 1.5m.

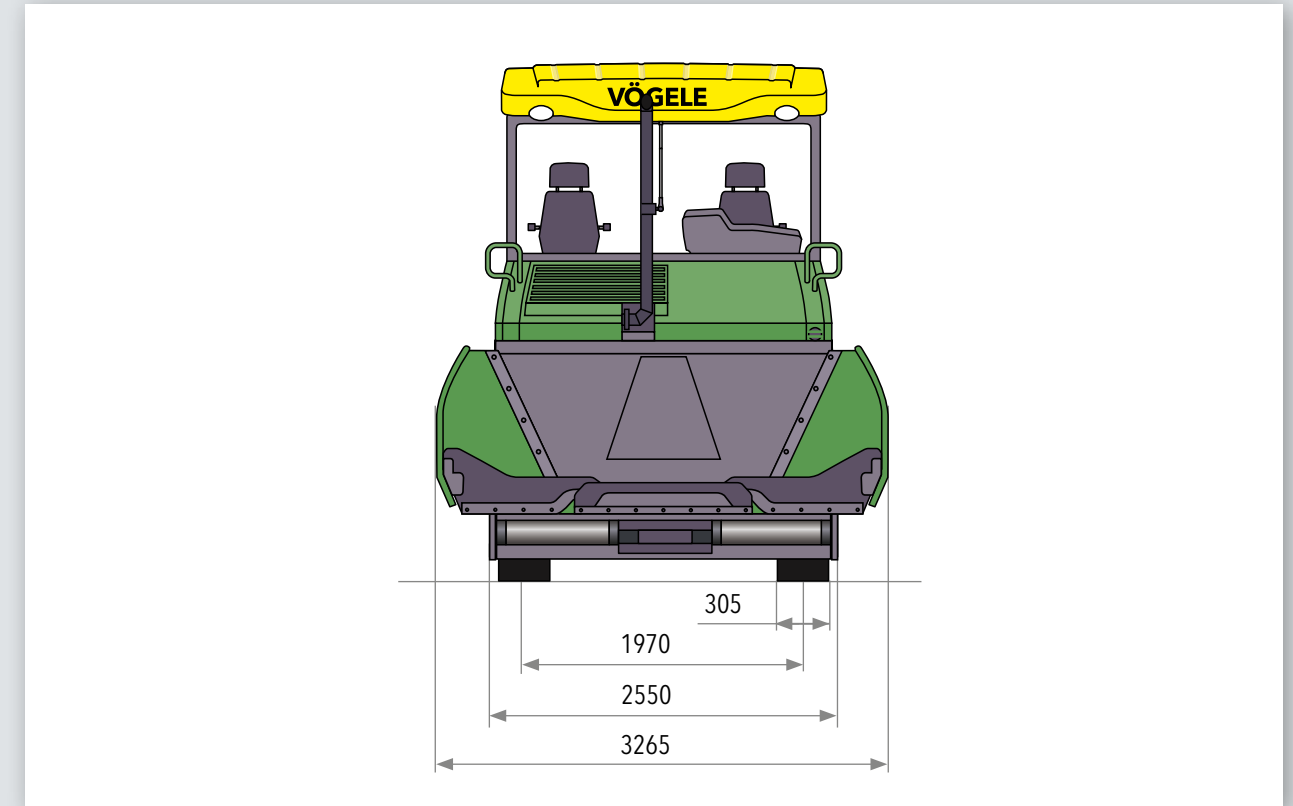
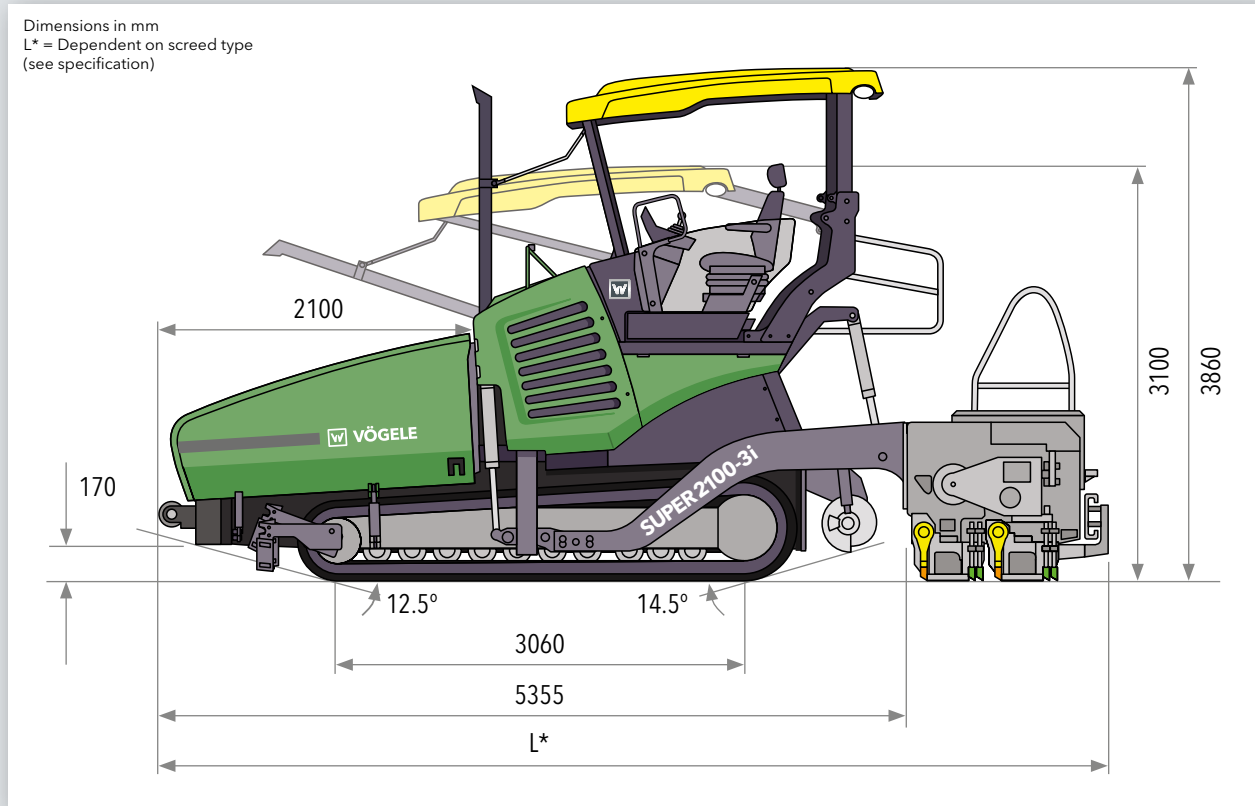
### Compacting systems

- » SB 250 TV with tamper and vibrators
- » SB 250 TP1 with tamper and 1 pressure bar
- » SB 250 TP2 with tamper and 2 pressure bars
- » SB 250 TVP2 with tamper, vibrators and 2 pressure bars





# All the facts at a glance



Power unit	
<b>Engine</b>	6-cylinder diesel engine, liquid-cooled
Manufacturer	Cummins
Type	OSB6.7-C250
<b>Output</b>	
Nominal	186kW at 2,000rpm (according to DIN)
ECO mode	175kW at 1,700rpm
<b>Exhaust emissions standard</b>	EU Stage 3b, US EPA Tier 4i
Exhaust gas after-treatment	DOC, DPF
<b>Exhaust emissions standard</b>	EU Stage 4, US EPA Tier 4f
Exhaust gas after-treatment	DOC, SCR
<b>Emission data</b>	
Sound power level	≤109 dB(A) (2000/14/EC and DIN EN 500-6)
Daily noise exposure level	>80 dB(A) (DIN EN 500-6)
<b>Fuel tank</b>	400 litres

Undercarriage	
<b>Crawler tracks</b>	provided with rubber pads
Ground contact	3,060mm x 305mm
Track tension adjuster	spring assembly
Track roller lubrication	lifetime

Undercarriage	
<b>Traction drive</b>	separate hydraulic drive and electronic control provided for each crawler track
<b>Speeds</b>	
Paving	up to 25m/min., infinitely variable
Travel	up to 4.5km/h, infinitely variable

Material hopper	
<b>Hopper capacity</b>	14t
<b>Width</b>	3,265mm
<b>Feed height</b>	615mm (bottom of material hopper)
<b>Push-rollers</b>	
Standard	oscillating
Position	can be displaced forwards by 75mm or 150mm
Option	sprung (PaveDock)

Conveyors and augers	
<b>Conveyors</b>	2, with replaceable feeder bars, conveyor movement reversible for a short time
Drive	separate hydraulic drive provided for each conveyor

Conveyors and augers	
<b>Speed</b>	up to 37m/min., infinitely variable (manual or automatic)
<b>Augers</b>	2, with exchangeable auger blades, auger rotation reversible
Diameter	480mm
Drive	separate hydraulic drive provided for each auger
Speed	up to 79rpm, infinitely variable (manual or automatic)
Height	infinitely variable by 15cm, hydraulic
<b>Lubrication</b>	centralized lubrication system with electrically driven grease pump

Screed options	
<b>AB 500</b>	basic width 2.55m infinitely variable range 2.55m to 5m maximum width (TV/TP1/TP2) 8.5m
<b>AB 600</b>	basic width 3m infinitely variable range 3m to 6m maximum width (TV/TP1/TP2) 9.5m maximum width (TP2 Plus) 8.5m

Screed options		
<b>SB 250</b>	basic width	2.5m
	maximum width (TV/TP1)	13m
<b>Screed versions</b>	TV, TP1, TP2, TP2 Plus (AB 500, AB 600), TVP2 (SB 250)	
<b>Layer thickness</b>	up to 40cm (SB 250)	
<b>Screed heating</b>	electric by heating rods	
Power supply	three-phase A.C. generator	

Dimensions (transport) and weights		
<b>Length</b>	tractor unit and screed	
AB 500/AB 600	TV	6.65m
	TP1/TP2/TP2 Plus	6.8m
	TV/TP1/TP2/TVP2	6.55m
<b>Weights</b>	tractor unit and screed	
SB 250	pave widths up to 5m	21.9t
AB 500 TV	pave widths up to 8.5m	26t

**Key:** DOC = Diesel Oxidation Catalyst    DPF = Diesel Particulate Filter    SCR = Selective Catalytic Reduction  
 AB = Extending Screed    TV = with tamper and vibrators    TP1 = with tamper and 1 pressure bar    TVP2 = with tamper, vibrators and 2 pressure bars  
 SB = Fixed-Width Screed    TP2 = with tamper and 2 pressure bars    TP2 Plus = with special tamper, 2 pressure bars and additional weights

Subject to technical modification.





Your VÖGELE QR Code  
will take you directly  
to the "SUPER 2100-3i"  
on our website.



**JOSEPH VÖGELE AG**

Joseph-Vögele-Str. 1  
67075 Ludwigshafen · Germany  
marketing@voegele.info

Telephone: +49 (0)621 8105 0  
Fax: +49 (0)621 8105 461  
www.voegele.info



® ERGOPLUS, InLine Pave, NAVITRONIC, NAVITRONIC Basic, NAVITRONIC Plus, NIVELTRONIC, NIVELTRONIC Plus, RoadScan, SprayJet, VÖGELE, VÖGELE PowerFeeder, PaveDock, PaveDock Assistant, AutoSet, AutoSet Plus, AutoSet Basic, ErgoBasic and VÖGELE-EcoPlus are registered Community Trademarks of JOSEPH VÖGELE AG, Ludwigshafen/Rhein, Germany. PCC is a registered German Trademark of JOSEPH VÖGELE AG, Ludwigshafen/Rhein, Germany. ERGOPLUS, NAVITRONIC Plus, NAVITRONIC BASIC, NIVELTRONIC Plus, SprayJet, VISION, VÖGELE, VÖGELE PowerFeeder, PaveDock, PaveDock Assistant, AutoSet, AutoSet Plus, AutoSet Basic and VÖGELE-EcoPlus are trademarks registered in the US Patent and Trademark Office to JOSEPH VÖGELE AG, Ludwigshafen/Rhein, Germany. Legally binding claims cannot be derived from written information or pictures contained in this brochure. Pictures may include optional extras. We reserve the right to make technical or design alterations.